

## **Specifications:**

**Place of origin: Shenzhen, China**

**Type: plastic electronics enclosure junction box**

**Model No.: AK-H-71**

**Size: 80\*60\*26.5mm**

**Material: ABS plastic**

**Sample MOQ: 1 piece**

**Customized service: cutout, silkscreen, color, sticker, laser engraving,  
acrylic sheet, create mold**

**Customized MOQ: 20 pcs**

**Packing: carton**

**SZOMK**



▶ **Enclosure Manufacturer**  
[www.chinaenclosure.com](http://www.chinaenclosure.com)

# SZOMK

Customizable  
cutout, sticker  
silkscreen, color



Weight: 39g  
Model No. AK-H-71

Size: 3.15\*2.36\*1.04 inch  
80\*60\*26.5 mm

**SZOMK**



**SZOMK**



**SZOMK**



**SZOMK**



**SZOMK**

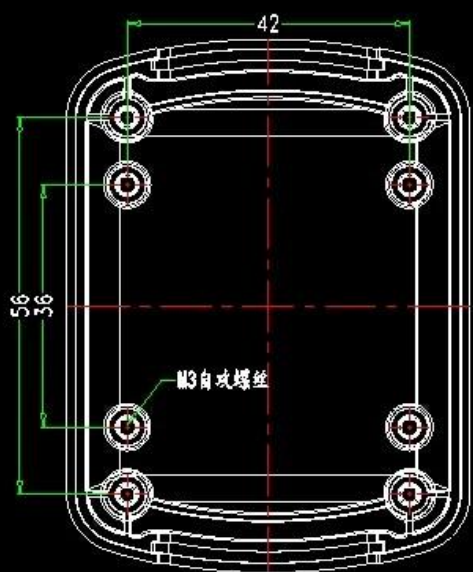




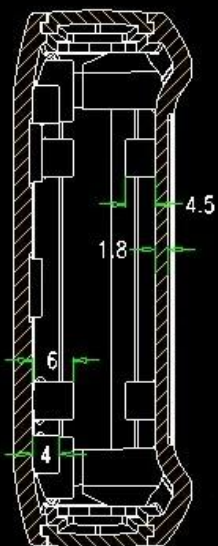
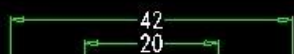
**SZOMK**



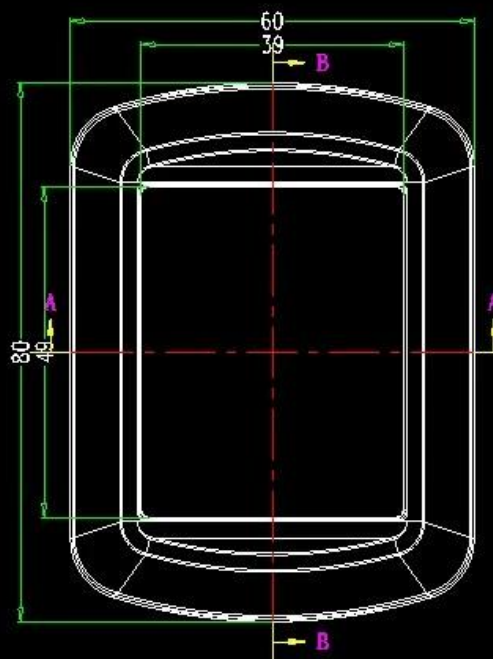
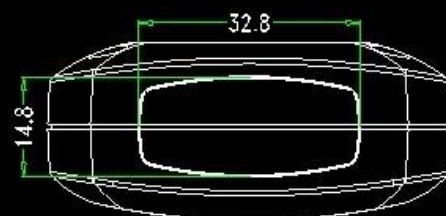
上壳内视图

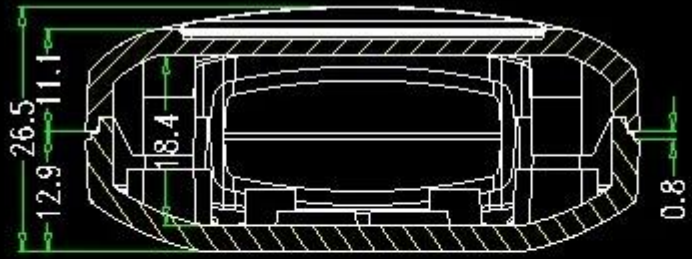


底壳内视图

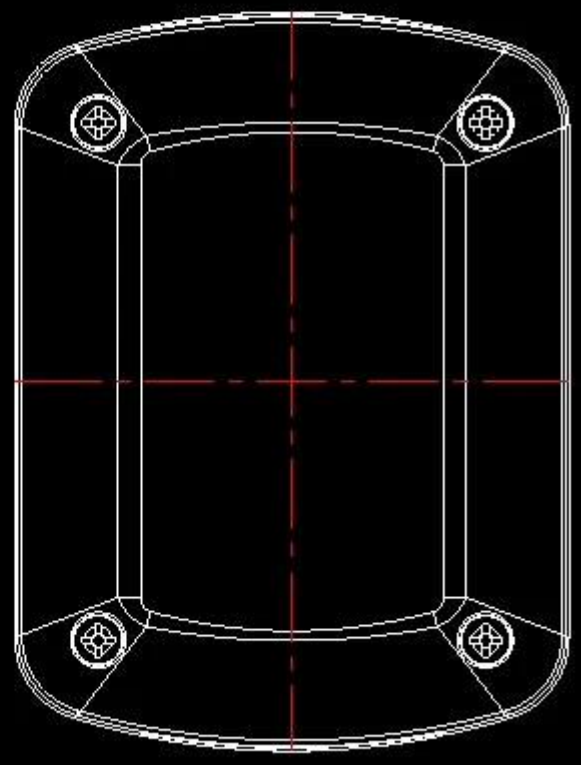
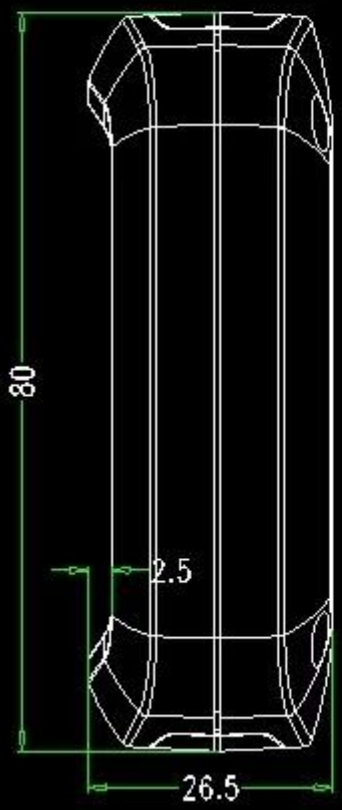


SEC B-B

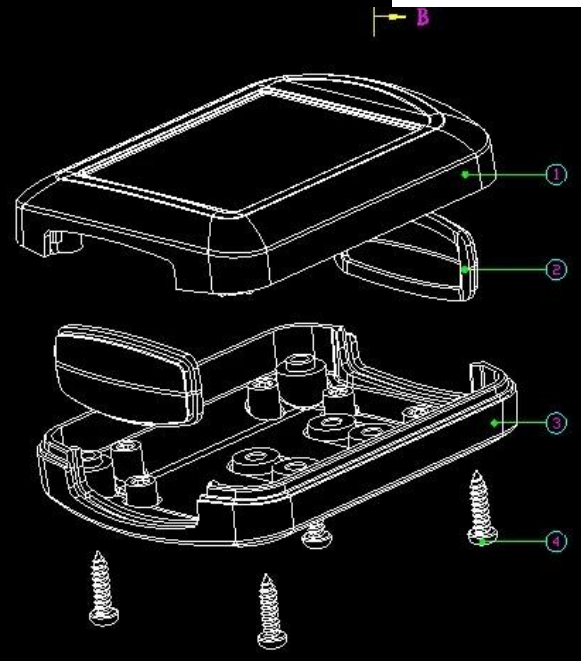
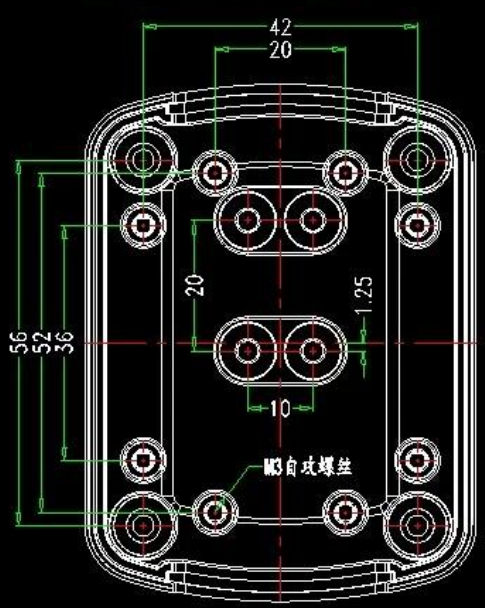




SEC A-A



SEC B-B



Here is our customize service:

- 1, change aluminum length
- 2, change color of our boxes
- 3, product polishing
- 4, powder coating
- 5, brushed oil
- 6, cut-out
- 7, lasder engraving
- 8, PVC label
- 9, Acrylic plate
- 10, silk screen printing
- 11, make sticker
- 12, silica gel edges
- 13, sandblasting
- 14, wire drawing
- 15, UV protection
- 16, open mold



# We can do customize

Cut holes  
Silkscreen  
Sticker



# We can do customize

change the color



# We can do customize

PVC lable  
Acrylic plate  
Sticker



# We can do customize

Cut holes  
Silkscreen  
Laser carve





**We can do customize**



**UV  
Protection**



# We can do customize

Cut holes  
Silkscreen  
Sticker



# We can do customize



## Use:

It is widely used in electronics, instrumentation, automation, communication, power supply units, student projects, amplifiers, healthcare equipment, test and measurement equipment, industrial control, peripherals devices and interfaces, switch boxes.

It is widely used in electronic, instrumentation, automation, communications, power supply units, student projects, amplifiers, Medical and wellness devices, test and measurement equipment, industrial control, peripheral devices and interfaces, switch boxes.



**Attention:**

Welcome to contact us for more details and quotations of our enclosure, your inquiry will surely get prompt response in 24 hours. :-)



QQ

505924585



Tel

86-755-83222882  
86-13028816914



Add

628Room,505 Building ,Shangbu industry,  
Hangtian road ,Futian district ,Shenzhen,  
China,518031



Email

[lily@szomk.net](mailto:lily@szomk.net)



skype

szomk006

## Company Information



### Shenzhen Futian Huaqiang Electronic World OMK Electronic Sales Department

This complex, during long years of efforts with its own experienced group and sole facilities for improvement of productions and promotion of products quality, is now one of the largest suppliers of all kinds of metallic and plastic enclosures in different fields of electronic, electrical, communication, medical, industrial and research projects purposes.

In today's industrial world and with the rapid development of all industries, the need of these products is sensed more than ever. Therefore by offering the best quality and service, we try to meet these needs and help you to reach your ideals.

## Exhibition



## Certificate



## Factory and showroom



## Packaging & Shipping



Shenzhen Futian Huaqiang Electronic World OMK  
Electronic Sales Department

Tel: +86-755-83222882 E-mail: [hyj@szomk.com.cn](mailto:hyj@szomk.com.cn)



# **SZOMK**

## Our packaging

Plastic foam packaging



Metal shell packaging



Plastic box packaging



**Any inquiry, please contact:  
[lily@szomk.net](mailto:lily@szomk.net)**

**Your inquiry would be responded withing  
24 hours. :o )**

