

Here is our customize service:

1. Change the length
2. Change color
3. Polishing
4. Sandblasting
5. Brushed aluminum foil
6. Cut hole
7. Laser carve
8. PVC label
9. Acrylic plate
10. Screen

Use:

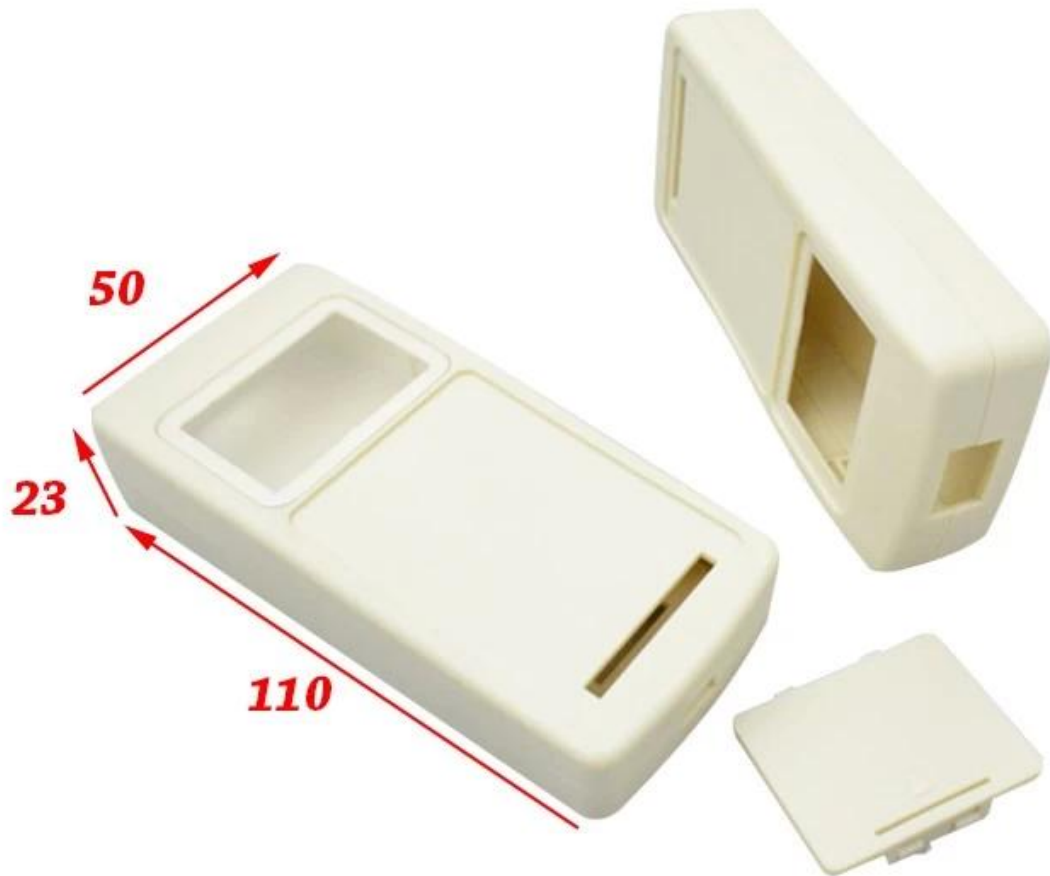
It is widely used in electronics, instrumentation, automation, communication, power supply unites, student projects, amplifiers, healthcare equipment, test and measurement equipment, industrial control, peripherals devices and interfaces, switch boxes.

Attention:

Welcome to contact us for more details and quotations of our enclosure, your inquiry will surely get prompt response in 24 hours.  
:-)

**SZOMK**

**Customizable  
Cutout, sticker  
Silkscreen, color**



**Weight: 35 g    Size: 4.33\*1.96\*0.91 inch  
Model No. AK-H-52    110\*50\*23 mm**

# SZOMK



**SZOMK**



**SZOMK**

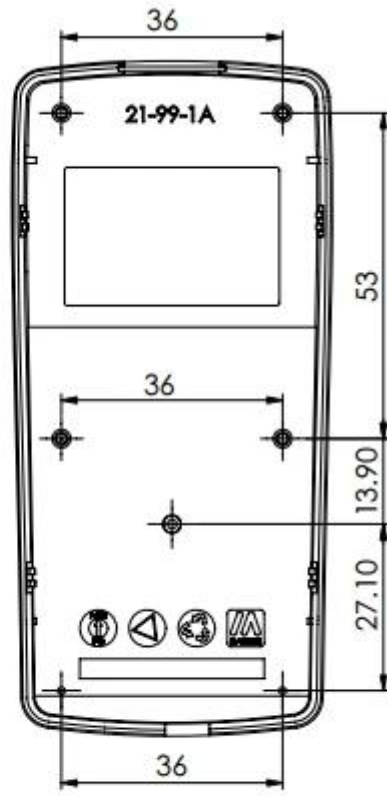
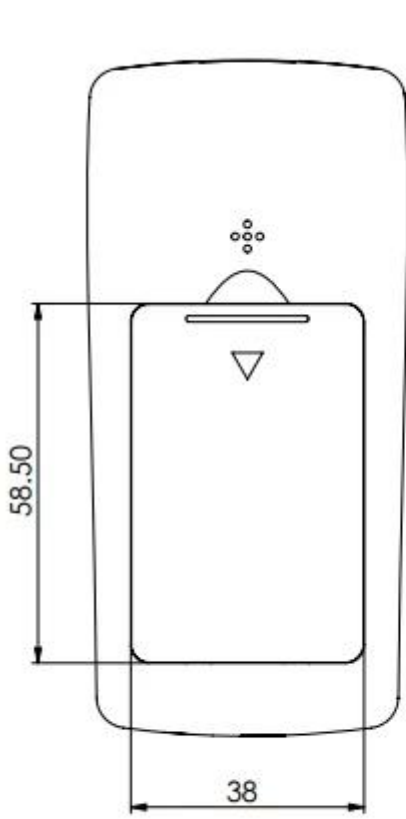


**SZOMK**

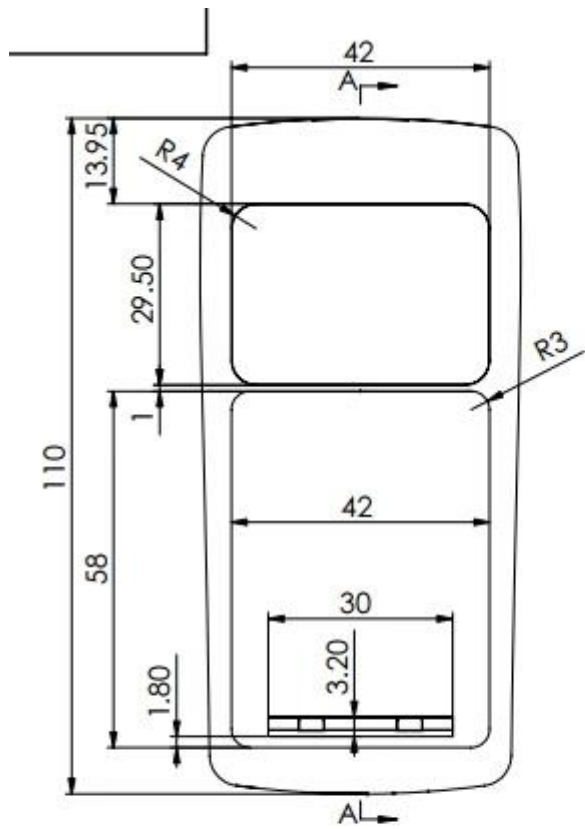


# SZOMK

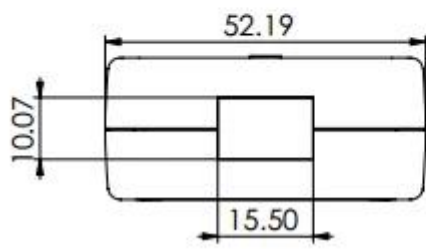
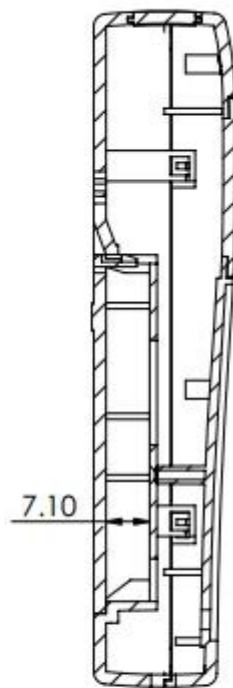








剖面 A-A





QQ

2033950667



Tel

81-755-83222882  
+86 15361444713



Add

16-6Floor, 505Building, Shangbu In dustry  
Area, Hangtian RD, Futian District , Shenzhen  
China



Email

william@szomk.ent



Skype

szomk-002