

We are pleased to provide you with:

- 1 Drilling,Punching ,etc. Welcome to provide drawings custom.
- 2 Silkscreen ,Laser Carve, Sticker ,etc.
- 3 Short lead time,normally 3-5 days after payment(according to quantity)
- 4 Prompt response for your inquiry

Applications:

It is widely used in electronic, instrumentation, automation, communications, power supply units, student projects, amplifiers, Medical and wellness devices, test and measurement equipment, industrial control, peripheral devices and interfaces, switch boxes.

Warm Prompt:

Welcome to contact us for more details and quotations for electrical box ,your inquiry will surely get prompt response in 24 hours!

Here are more pictures for electrical box :

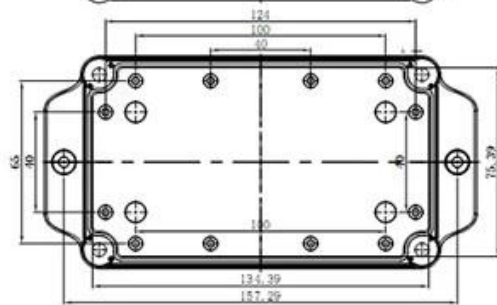
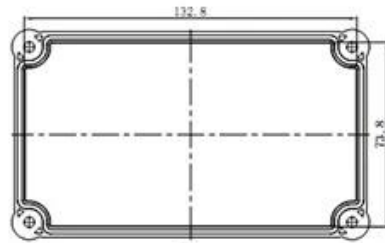
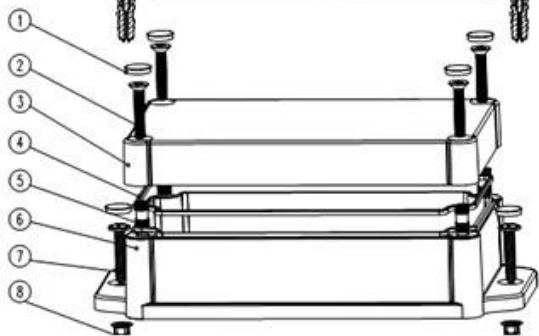
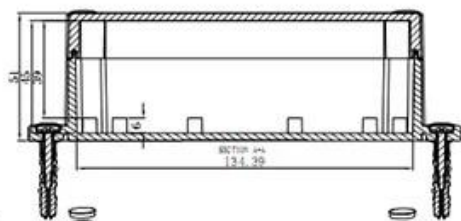
SZOMK

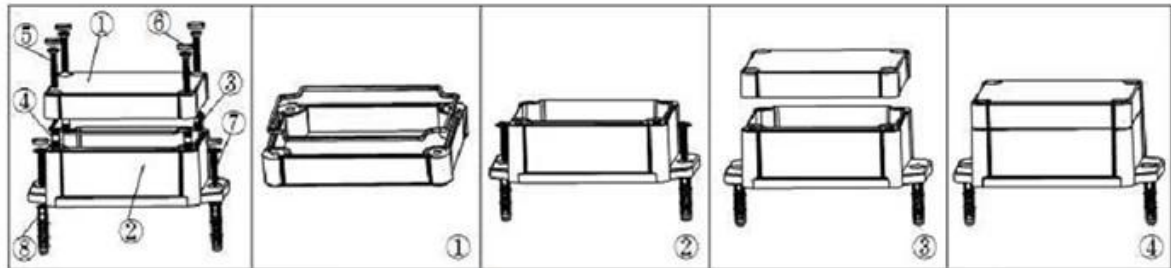


SZOMK



SZOMK





Epitheca (1PCS)
Material:PC
Color:Transparent



Hypotheca (1PCS)
Material:ABS
Color:Light Grey(FS20412)



Gasket (1PCS)
Material:Rubber
Size:96.5*64.5*1.8 mm



Copper Nut(6PCS)
Material:Copper
Standard:M4*10
Color:Copper



Grub Screw(6PCS)
Material:Stainless Steel
Standard:M4*25



Screw Lid(6PCS)
Material:ABS
Color:Light Grey(FS20412)



Self-Tapping Screw(4PCS)
Material:Iron
Standard:M4*30



Wall Nail(4PCS)
Material:PP
Color:Light Grey(CM906)



QQ

2819022460



Tel

86-755-83222882
86-13418600500



Add

628Room,505 Building ,Shangbu industry,
Hangtian road ,Futian district ,Shenzhen,
China,518031



Email

hellen@szomk.com.cn



skype

szomk-002

