

### Advantages of SZOMK housing

1. It has strong corrosion resistance, weatherability, corrosion resistance.
2. surface may be formed in a variety of colors, and the maximum to meet your needs.
3. Have a good strong toughness save your electronics.

### What can we do for you

- 1 Drilling, punching and so on. Welcome to the graphics on demand.
- 2 powder paint, brushes, polishing, silk screen, laser engraving, posters, engraving, acrylic resin panel.
- 3 short delivery time, usually after 3-5 days after payment (according to the number)
- 4 tips for your inquiry

### product specification

**SZOMK**



**Enclosure Manufacturer**

[www.chinaenclosure.com](http://www.chinaenclosure.com)

# SZOMK

Customizable  
cutout, sticker  
silkscreen, color



Weight: 77g

Model No. AK-H-07b

Size: 4.65\*3.07\*1.30 inch

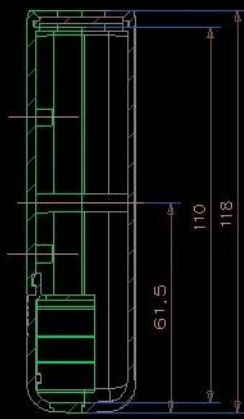
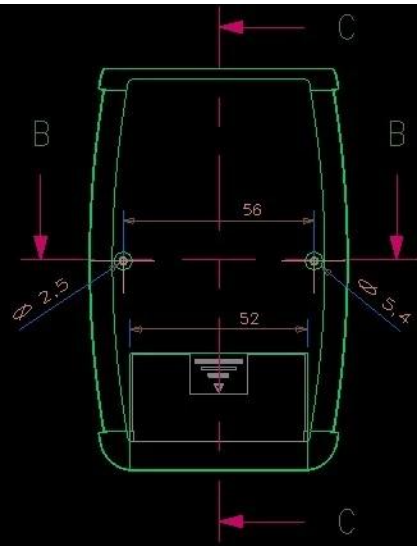
118\*78\*33 mm

**SZOMK**

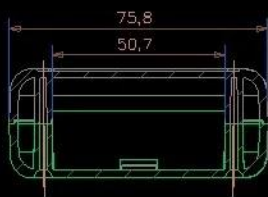


**SZOMK**

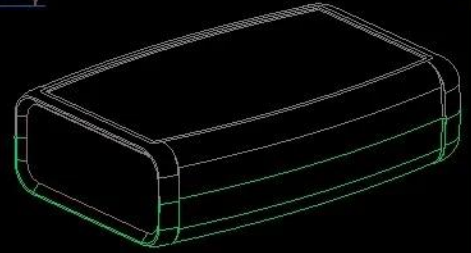




SECTION C-C



SECTION B-B





*Plate*



*Silkscreen*



*Sticker*

*We can do  
customize*

*Cutout*



*Color*



*Silicone Seals*



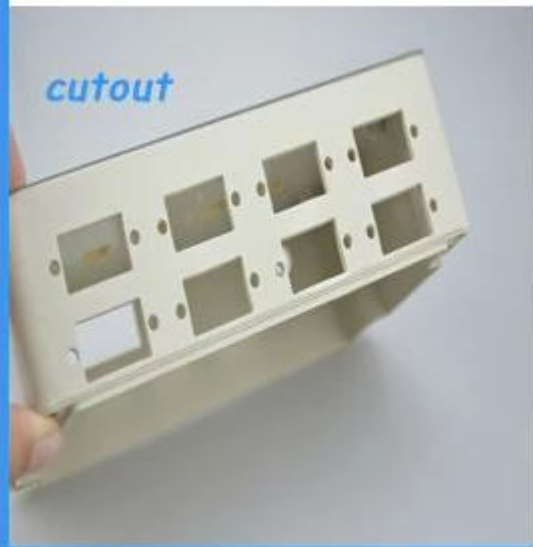


Label



cutout

## Customizable



cutout



silkscreen

Custo

mized services

### Company Information



#### Shenzhen Futian Huaqiang Electronic World OMK Electronic Sales Departmen

This complex, during long years of efforts with it's own experienced group and sole facilities for improvement of productions and promotion of products quality, is now one of the largest suppliers of all kinds of metallic and plastic enclosures in different fields of electronic, electrical, communication, medical, industrial and research prtojects purposes.

In today's industrial world and with the rapid development of all industries, the need of these products is sensed more than ever. Therefore by offering the best quality and service, we try to meet these needs and help you to reach your ideals.

## Factory and showroom



## Exhibition





## Certificate



## Packaging & Shipping



## Contact information



T/T, WESTERN UNION, MONEY  
GRAM AND PAYPAL ACCPETED.

**Skype:** 13691908154

**Tel:** +86 13691908154

**E-mail:** galaxie@szomk.net

[Contact Us](#)