

Here is our customize service:

- 1, change aluminum length
- 2, change color of our boxes
- 3, product polishing
- 4, powder coating
- 5, brushed oil
- 6, cut-out
- 7, lasder engraving
- 8, PVC label
- 9, Acrylic plate
- 10, silk screen printing
- 11, make sticker
- 12, silica gel edges
- 13, sandblasting
- 14, wire drawing
- 15, UV protection

Use:

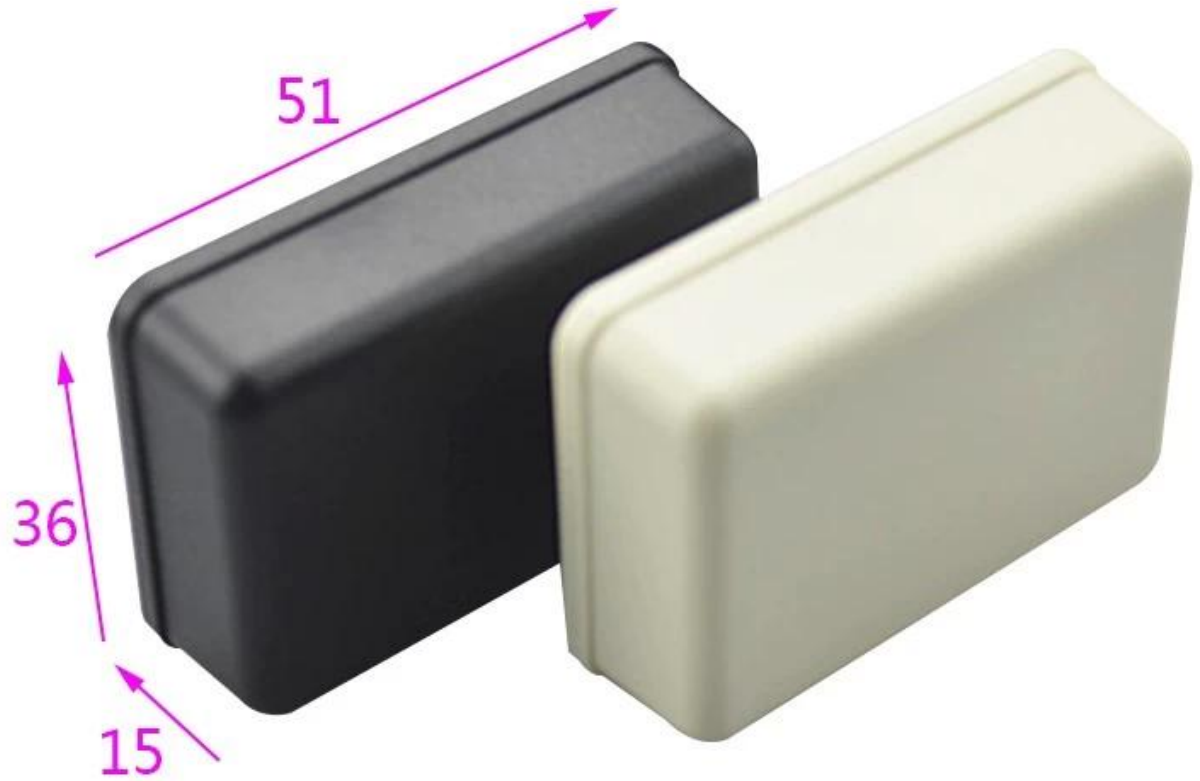
It is widely used in electronics, instrumentation, automation, communication, power supply unites, student projects, amplifiers, healthcare equipment, test and measurement equipment, industrial control, peripherals devices and interfaces, switch boxes.

Attention:

Welcome to contact us for more details and quotations of our enclosure, your inquiry will surely get prompt response in 24 hours. :-)

SZOMK

Customizable
Cutout, sticker
Silkscreen, color



Weight :12 g
Model No. AK-S-74

Size:2.0*1.42*0.59 inch
51*36*15 mm

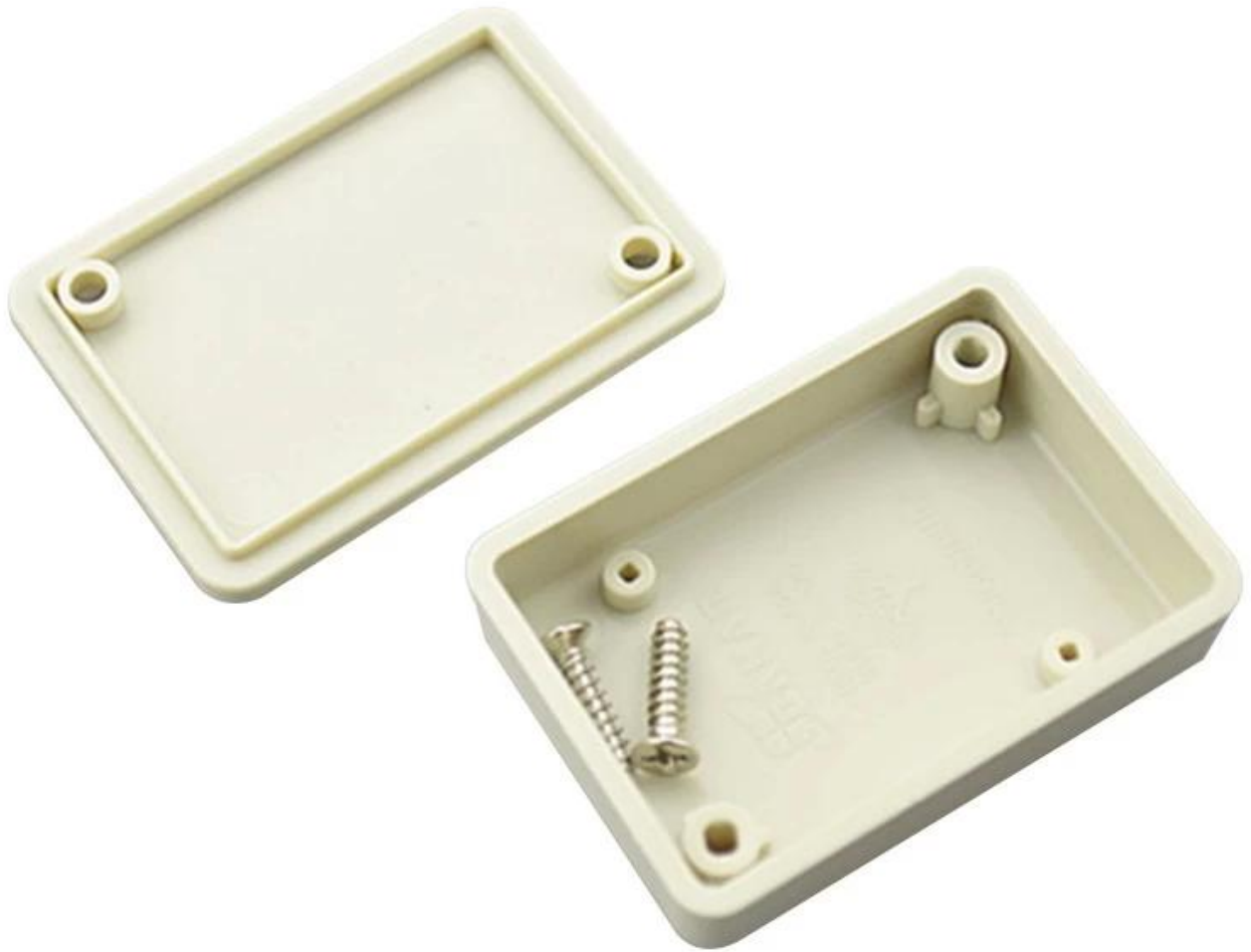
SZOMK

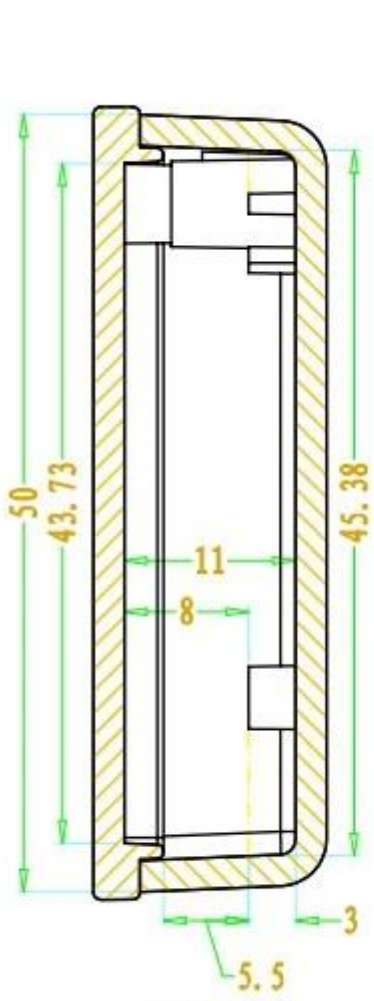


SZOMK

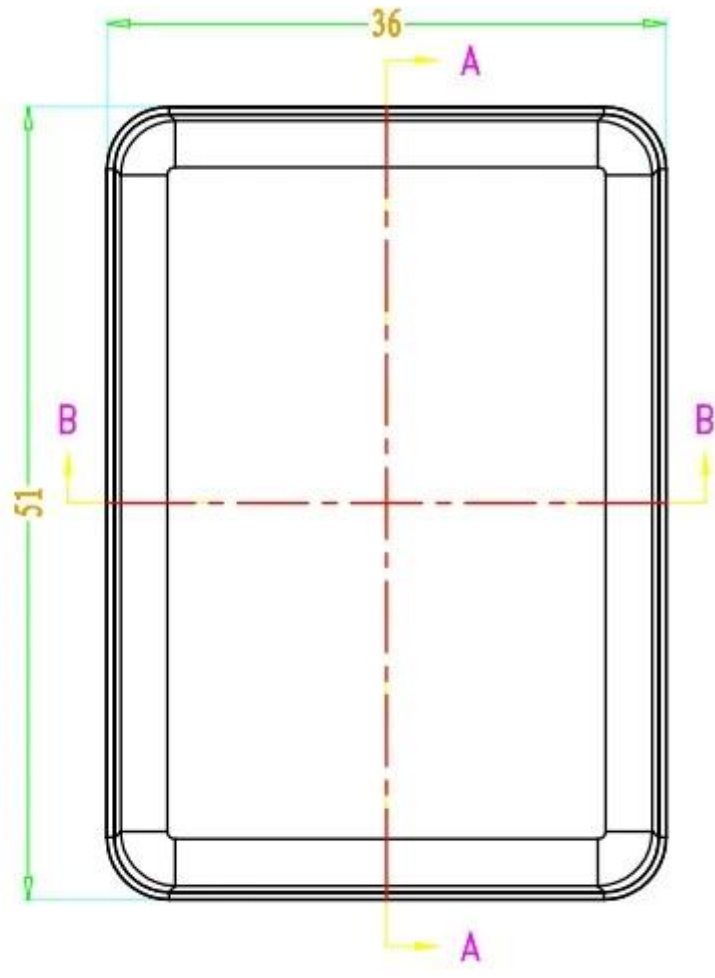


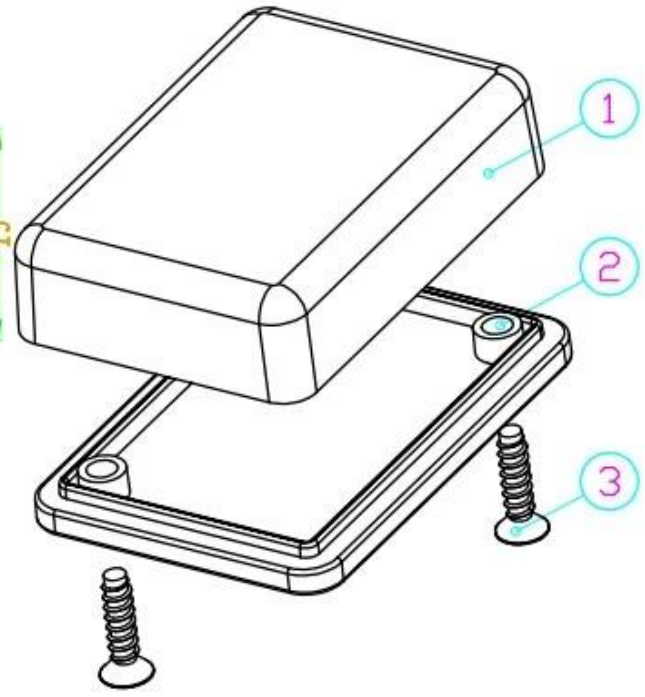
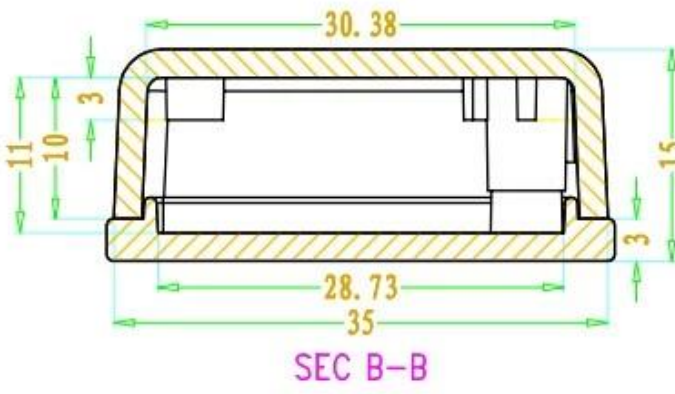
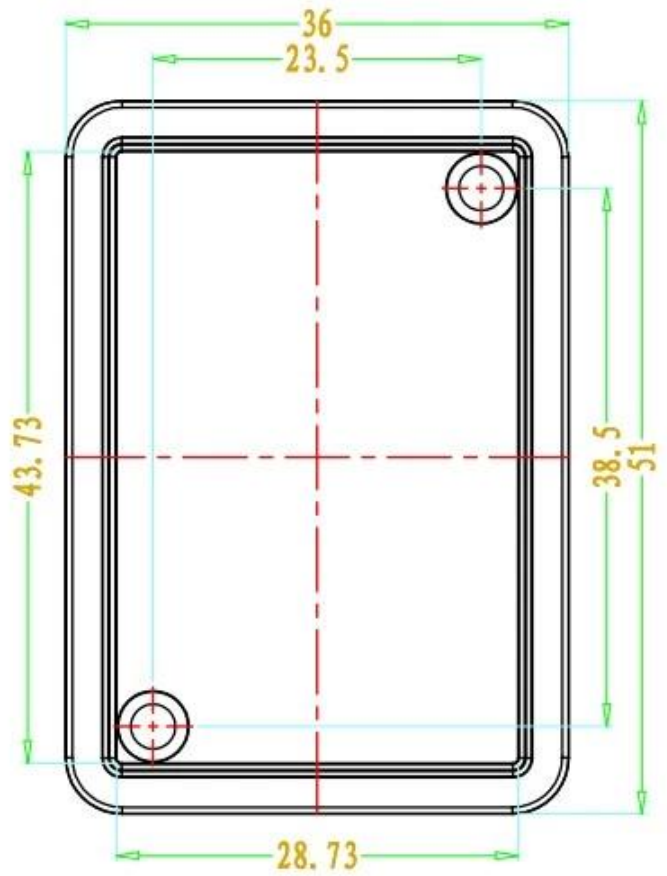
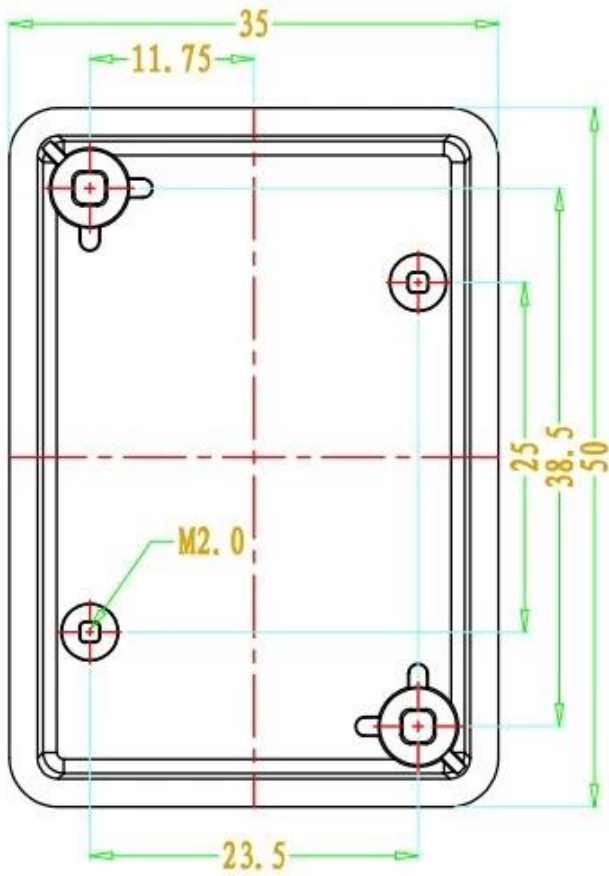
SZOMK





SEC A-A







QQ

2110283100



Tel

81-755-83222882
+86 18819074698



Add

16-6Floor, 505Building ,Shangbu Industry
Area, Hangtian RD, Futian District ,Shenzhen
China



Email

teddy@szomk.net



skype

teddy@szomk.net



WeChat

teddy07277