

industrial plastic standard electronic enclosure custom plastic power driver housing with 95*55*23mm

Product Show:



Product Specifications:

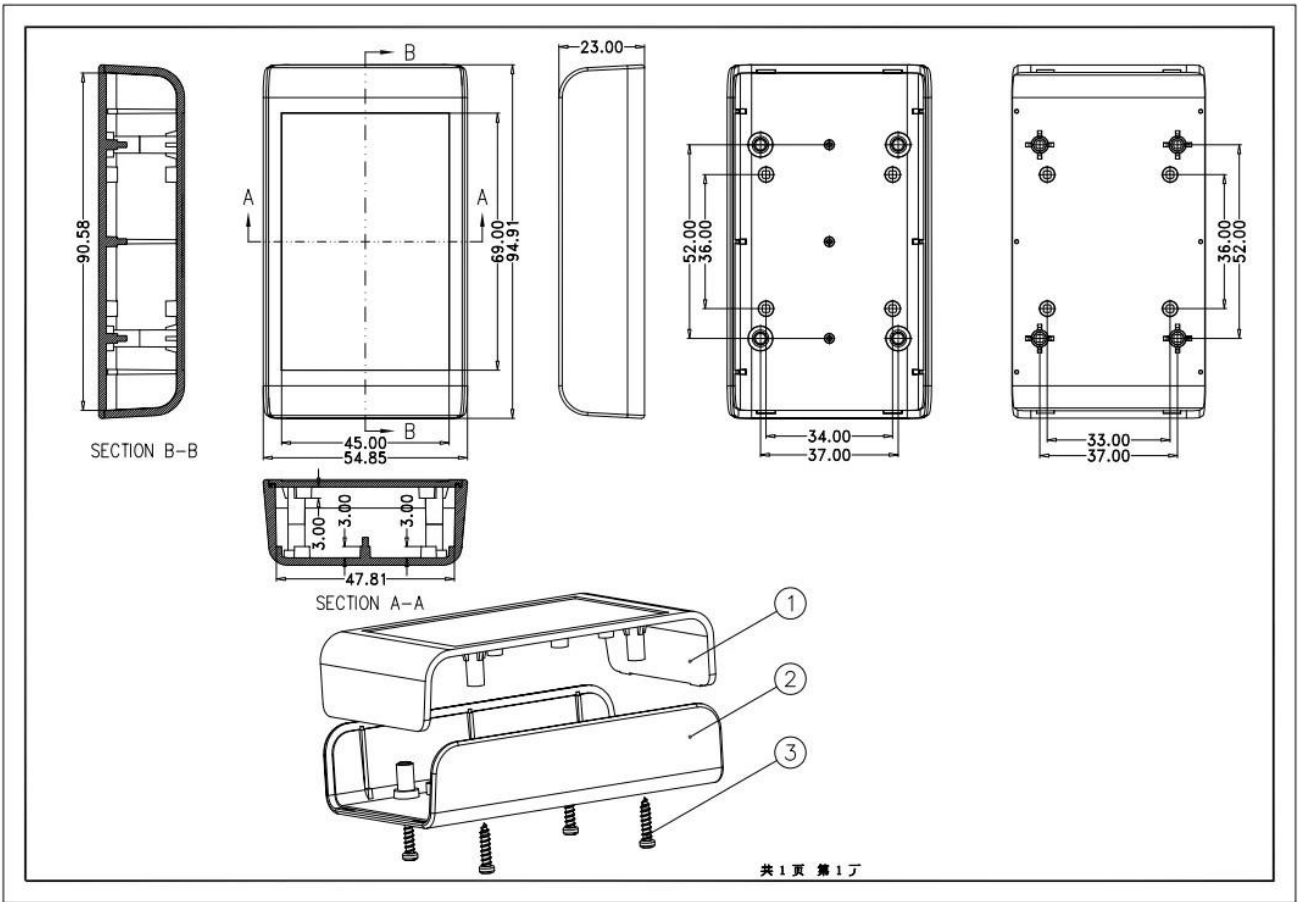
ENCLOSURE PROVIDE ONE-STOP SERVICES	
Type	Plastic enclosure

Model No.	AK-S-02
Size	95X55X23 mm /3.74*2.17*0.91 inch
Weight	36g
Body Color	Black/White/Transparent and can be customized
Side Color	Black/White/Transparent also can be customized
Material	ABS plastic
Customized Service	cut-out/silkscreen/laser engraving/sticker/Tapping/Laser cutting and so on
Drawing	PDF/CAD/3D
Advantage	can do small order DIY customized

Advantages for plastic power driver housing box

1. Has a strong resistance to abrasion, weathering, corrosion.
2. Can be formed on the surface of a variety of colors, to maximize fit your requirements.
3. Have a strong hardness, can be well protected your electronics.

Drawing Show



What we can do for you? About [custom electronic enclosure](#)



1. We provide thousands of public enclosure and we have some goods in our stock.

MOQ:1 pcs

2. We can do DIY small order custom service-----MOQ:20-50 pcs

3. We can design private custom enclosures(if you provide PCB)

4. To private mold customization (Provide sample or STEP file)

6. Customized service: cutout/mold/Acrylic plate/PVC label/Silkscreen/laser engraving/sticker/silicone/change color and so on.

Who we are?



Company Profile

High Quality Enclosure One-stop Service

SHENZHEN OMK ELECTRONICS CO.,LTD is now one of the largest suppliers of all kinds of plastic and metallic enclosures in different fields of electronic, electrical, communication, medi-cal, industrial and research projects purposes, we have more than 1000 moulds, and we can do cutout, silkscreen, lable, sticker, laser carve and creat a new mould for you in today's industrial world and with the rapid development of all indus-tres, the need of these products is sensed more than ever, meet these needs and help you to reach your ideals.

SZOMK ADVANTAGE:

SZOMK all ABS plastic enclosure Pass:UL94-HB Rating



R&D
CUSTOMIZE



Advanced
TECHNOLOGY



Strictly
QUALITY CONTROL



Excellent
SERVICE TEAM



Certificated iso,quality assurance
Certificated FCC &CE

Small order	It's no problem MOQ=1
QTY order	High quality short delivery time
Urgent order	Urgent order no problem how many pcs finished we will sending to you at once

Packing&delivery for industrial plastic standard enclosure

- 1) enclosure industrial packing by poly bag
- 2) then by export standard carton
- 3) as customer request

Delivery:

Standard stock product	1-3 working days
Custom product in stock	3-10 working days
Custom product out of stock	10-20 working days

Remarks: Every customer situation is different, please contact our sales confirmation for details.