

Here is our customize service:

- 1, change aluminum length
- 2, change color of our boxes
- 3, product polishing
- 4, powder coating
- 5, brushed oil
- 6, cut-out
- 7, lasder engraving
- 8, PVC label
- 9, Acrylic plate
- 10, silk screen printing
- 11, make sticker
- 12, silica gel edges
- 13, sandblasting
- 14, wire drawing
- 15, UV protection

Use:

It is widely used in electronics, instrumentation, automation, communication, power supply unites, student projects, amplifiers, healthcare equipment, test and measurement equipment, industrial control, peripherals devices and interfaces, switch boxes.

Attention:

Welcome to contact us for more details and quotations of our enclosure, your inquiry will surely get prompt response in 24 hours.
:-)

SZOMK

Customizable
Cutout, sticker
Silkscreen, color



Model No. AK-H-25
Weight :90 g

Size : 6.97*3.35*1.22 inch
177*85*31 mm

SZOMK



SZOMK



SZOMK



SZOMK



SZOMK
SZOMK



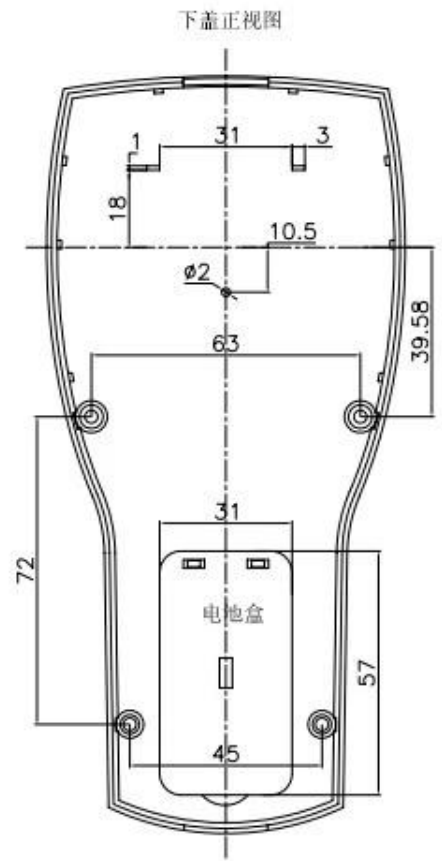
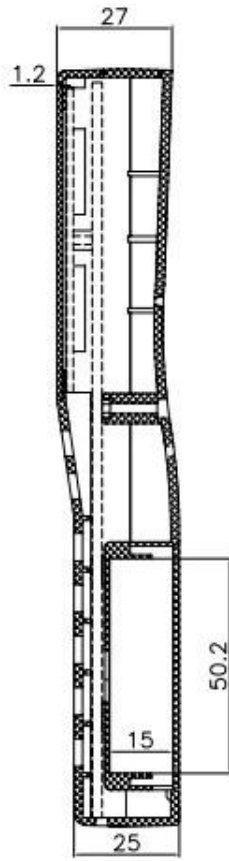
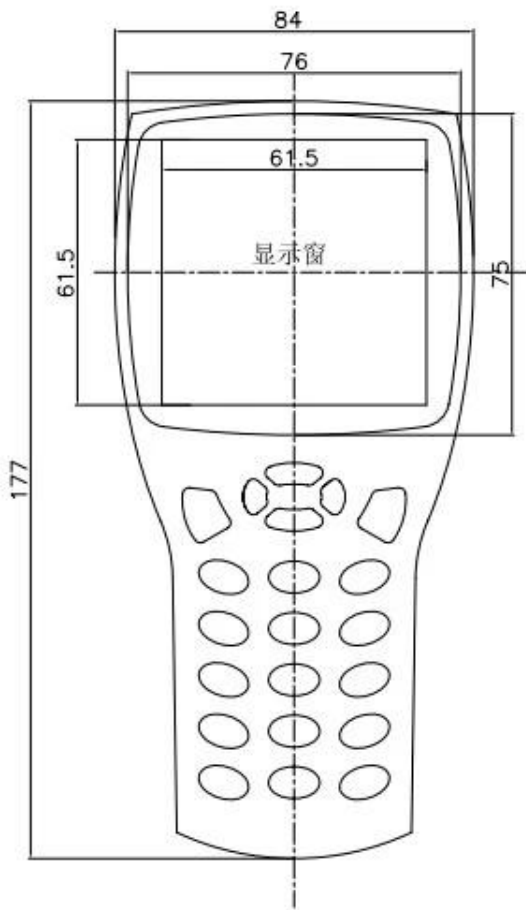
SZOMK

Customizable
Cutout, sticker
Silkscreen, color



Model No. AK-H-25
Weight :90 g

Size : 6.97*3.35*1.22 inch
177*85*31 mm





QQ

505924585



Tel

86-755-83222882
86-13028816914



Add

628Room,505 Building ,Shangbu industry,
Hangtian road ,Futian district ,Shenzhen,
China,518031



Email

lily@szomk.net



skype

szomk006