

## Here is our customize service:

1. Change the length
2. Change color
3. Polishing
4. Sandblasting
5. Brushed aluminum foil
6. Cut hole
7. Laser carve
8. PVC label
9. Acrylic plate
10. Screen

## Use:

It is widely used in electronics, instrumentation, automation, communication, power supply unites, student projects, amplifiers, healthcare equipment, test and measurement equipment, industrial control, peripherals devices and interfaces, switch boxes.

## Attention:

Welcome to contact us for more details and quotations of our enclosure, your inquiry will surely get prompt response in 24 hours.  
:-)

**SZOMK**

**Customizable  
Cutout, sticker  
Silkscreen, color**



**A1**

**A2**

**Weight :87 g**

**Model No. AK-S-07**

**110\*70\*40 mm**

**Size:4.33\*2.76\*1.57 inch**

**SZOMK**



**SZOMK**



**A1**

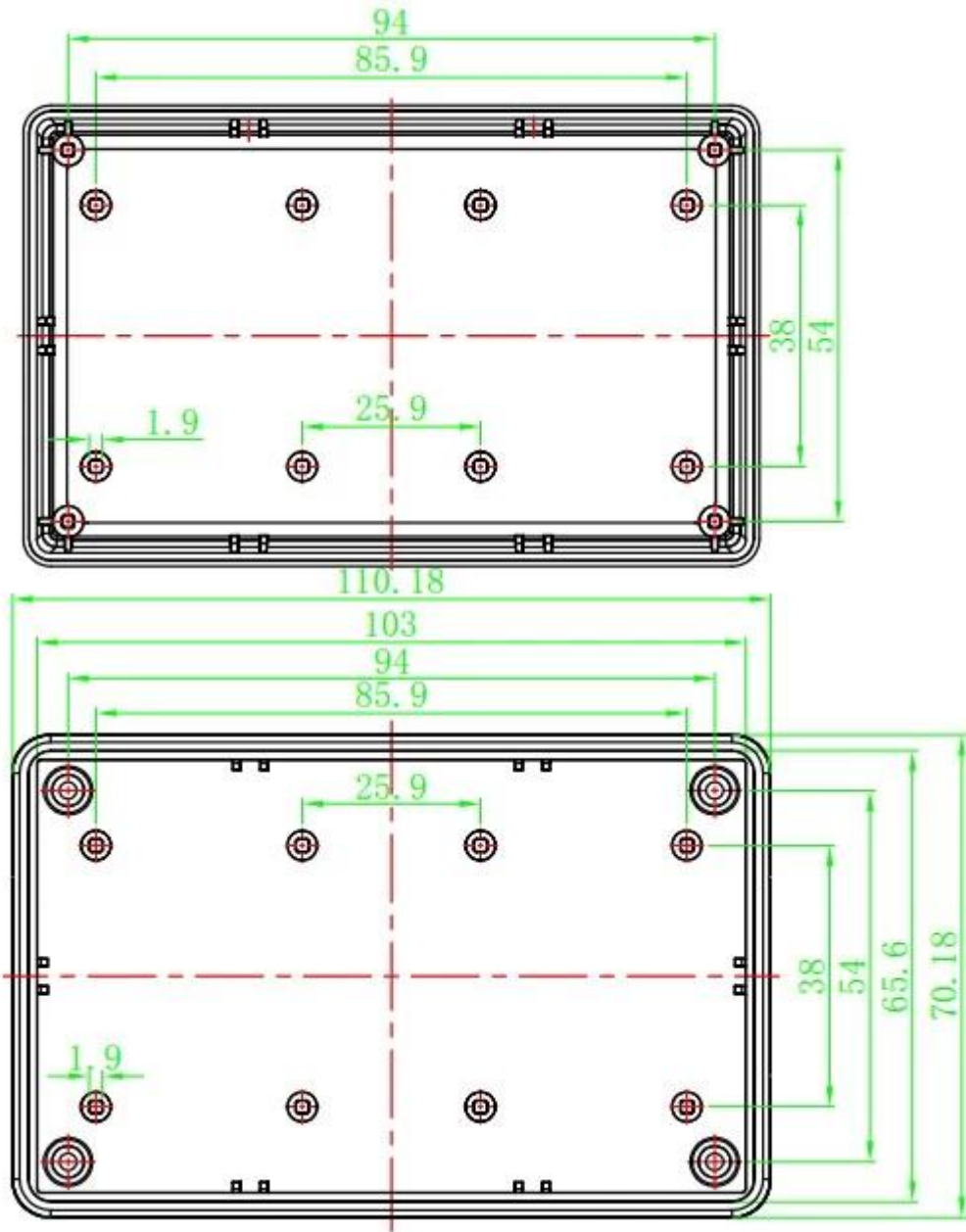
**A2**

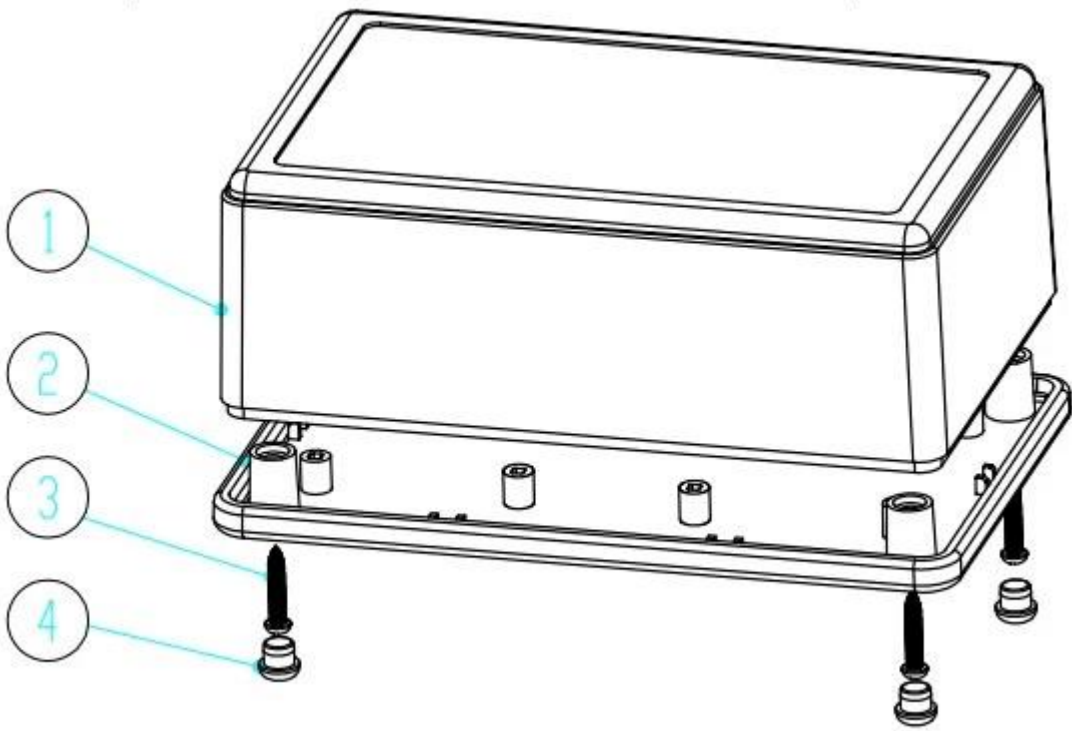
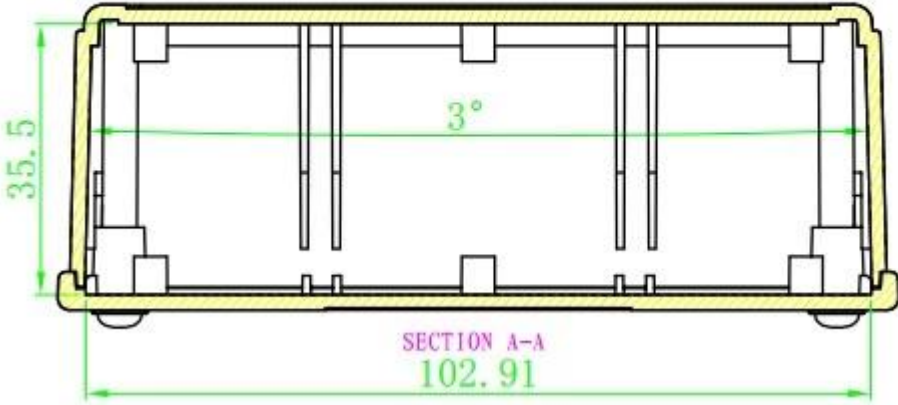
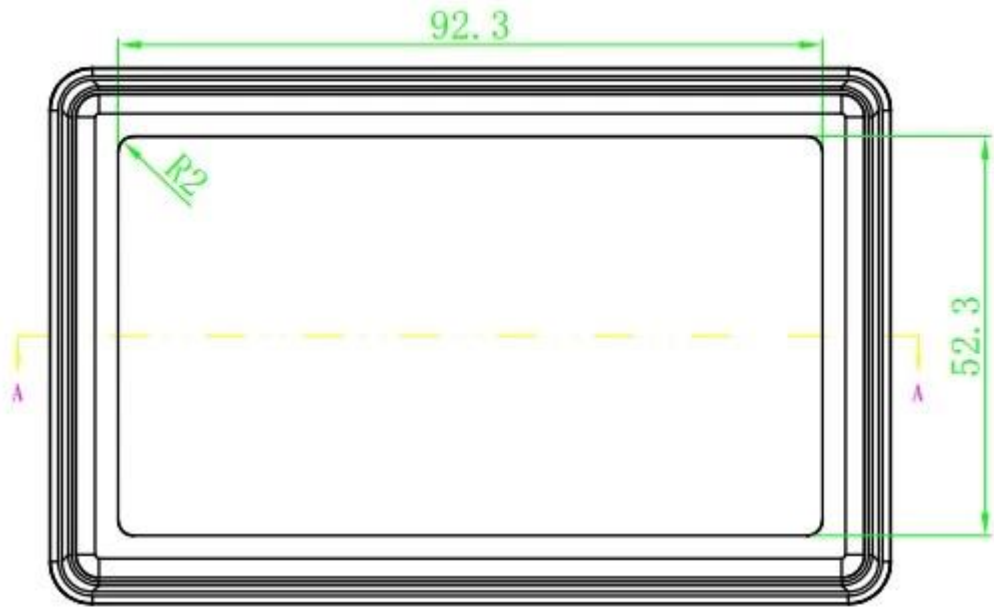
**SZOMK**



**SZOMK**











QQ

505924585



Tel

86-755-83222882  
86-13028816914



Add

628Room,505 Building ,Shangbu industry,  
Hangtian road ,Futian district ,Shenzhen,  
China,518031



Email

[lily@szomk.net](mailto:lily@szomk.net)



skype

szomk006

