

Features:

- 1, the product has a separate boxes and cartons.
- 2, the wall and the shell wall screw, the decorative sheet (grinding screw position).
- 3, with a simple (client) to match the screw
- 4, all of pouch packaging.
- 5, the product is made of a plastic material
- 6, respectively, according to their needs and drilling.

Main purpose:

In the [wall-mounted meter boxes](#) and geographical differences in the different names are used for different industrial main junction boxes, meter boxes, electronic products, such as Shell, is mainly used for indoor and outdoor electrical, communications, fire fighting equipment, iron, electronics, electricity, railways, construction sites, cocks, airports, hotels, large factories, pollution range.

Details Picture



SZOMK



▶ **Enclosure Manufacturer**
www.chinaenclosure.com

SZOMK



▶ **Enclosure Manufacturer**
www.chinaenclosure.com

SZOMK



▶ **Enclosure Manufacturer**
www.chinaenclosure.com

SZOMK



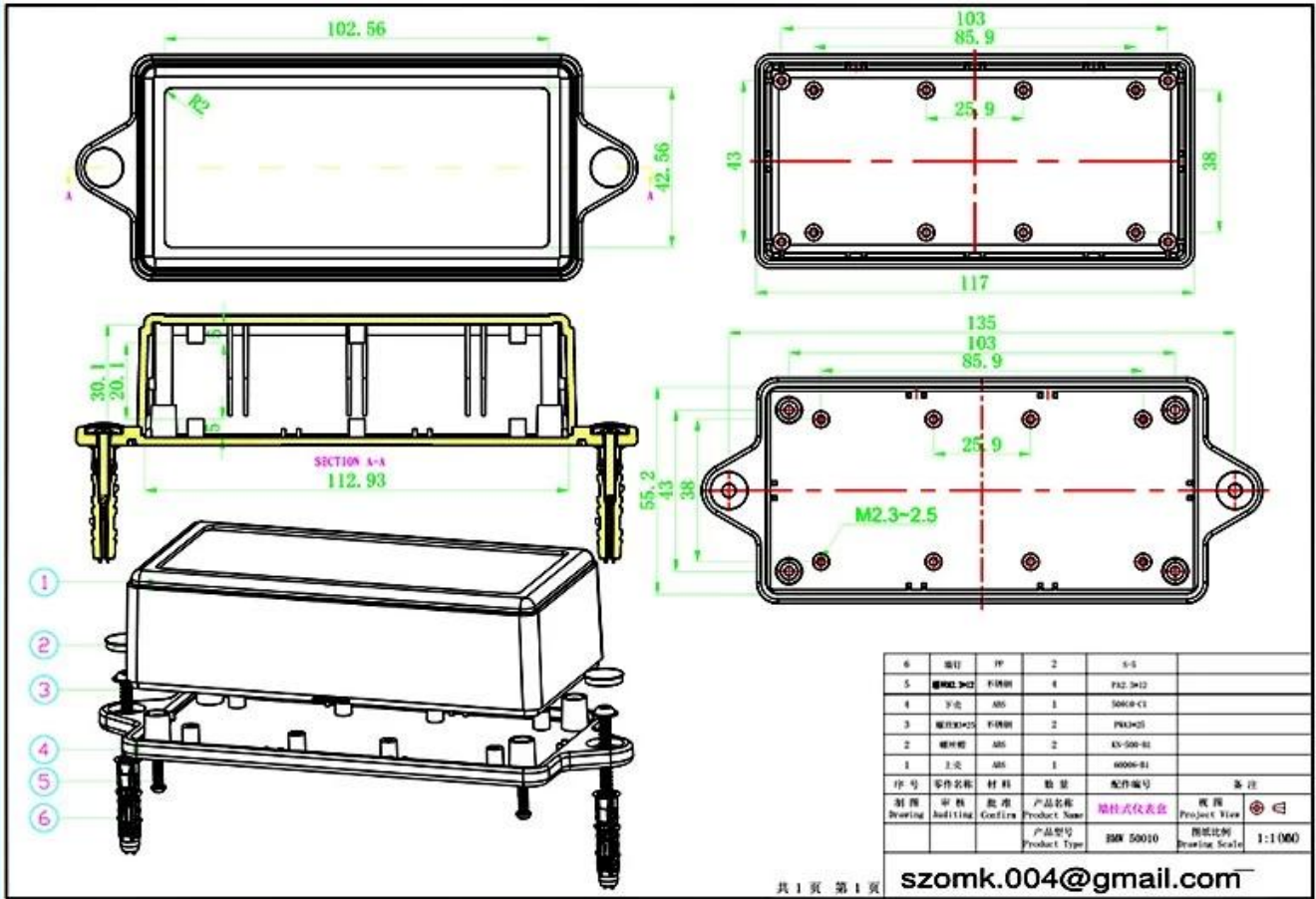
▶ **Enclosure Manufacturer**
www.chinaenclosure.com

SZOMK



▶ **Enclosure Manufacturer**
www.chinaenclosure.com

Drawing picture ▶



► Enclosure Manufacturer
www.chinaenclosure.com