

Features:

- 1, the product has a separate boxes and cartons.
- 2, the wall and the shell wall screw, the decorative sheet (grinding screw position).
- 3, with a simple (client) to match the screw
- 4, all of pouch packaging.
- 5, the product is made of a plastic material
- 6, respectively, according to their needs and drilling.

Main purpose:

In the wall-mounted meter boxes and geographical differences in the different names are used for different industrial main junction boxes, meter boxes, electronic products, such as Shell, is mainly used for indoor and outdoor electrical, communications, fire fighting equipment, iron, electronics, electricity, railways, construction sites, cocks, airports, hotels, large factories, pollution range.

[Details Picture](#)



SZOMK



▶ **Enclosure Manufacturer**
www.chinaenclosure.com

SZOMK



▶ **Enclosure Manufacturer**
www.chinaenclosure.com

SZOMK



▶ **Enclosure Manufacturer**
www.chinaenclosure.com

SZOMK



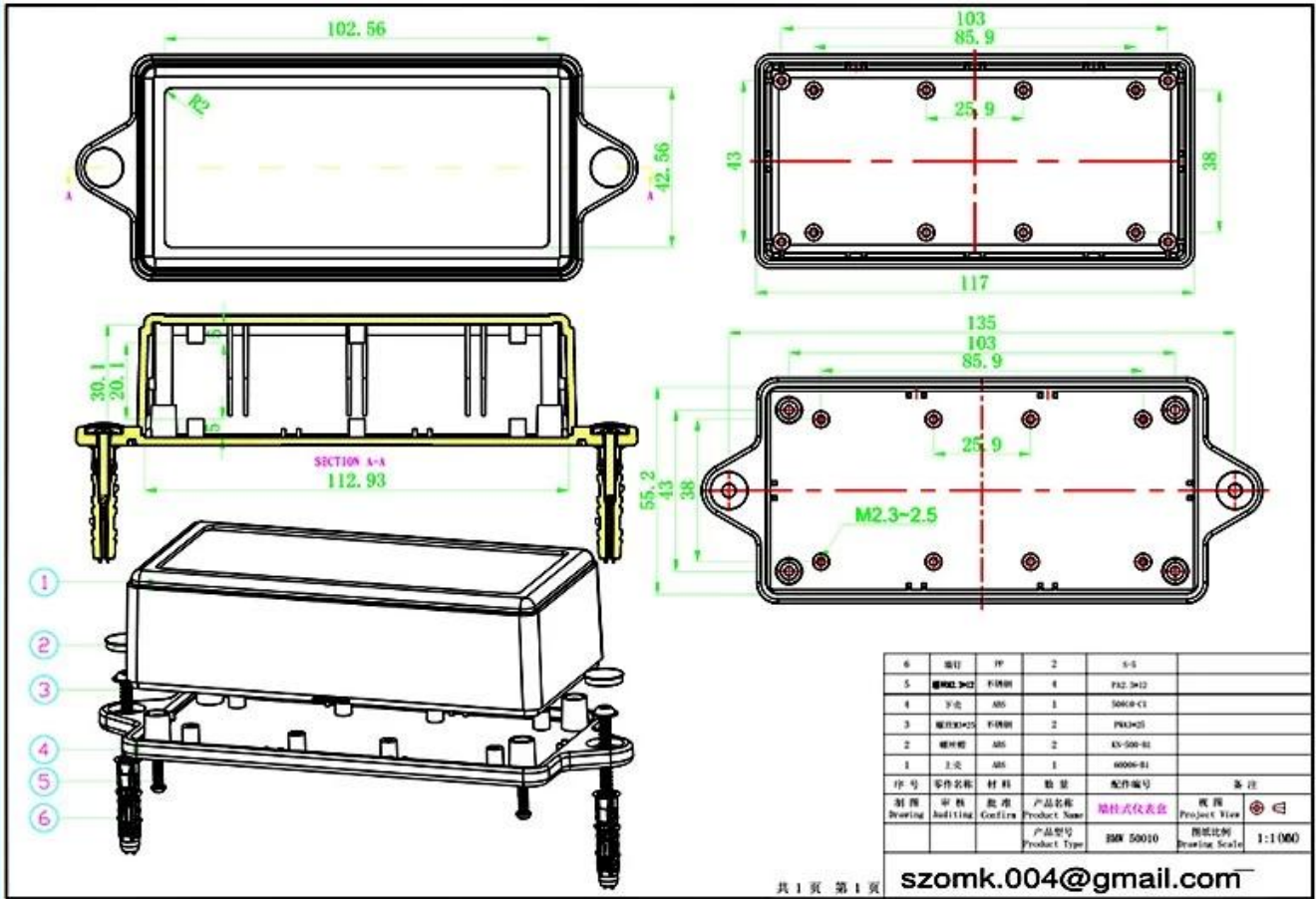
▶ **Enclosure Manufacturer**
www.chinaenclosure.com

SZOMK



▶ **Enclosure Manufacturer**
www.chinaenclosure.com

Drawing picture ▶



► Enclosure Manufacturer
www.chinaenclosure.com



QQ

2033950667



Tel

81-755-83222882
+86 15361444713



Add

16-6Floor, 505Building, Shangbu In dustry
Area, Hangtian RD, Futian District , Shenzhen
China



Email

william@szomk.ent



Skype

szomk-002