

### Advantages of SZOMK housing

1. It has strong corrosion resistance, weatherability, corrosion resistance.
2. surface may be formed in a variety of colors, and the maximum to meet your needs.
3. Have a good strong toughness save your electronics.

### What can we do for you

1Drilling, punching and so on. Welcome to the graphics on demand.

2 powder paint, brushes, polishing, silk screen, laser engraving, posters, engraving, acrylic resin panel.

3 short delivery time, usually after 3-5 days after payment (according to the number)

4 tips for your inquiry

### **product specification**

# SZOMK



## Enclosure Manufacturer

[www.chinaenclosure.com](http://www.chinaenclosure.com)

# SZOMK

Customizable  
cutout, sticker  
silkscreen, color



Weight: 110g  
Model No. AK-S-04

Size: 6.10\*3.15\*1.77 inch  
155\*80\*45 mm

**SZOMK**

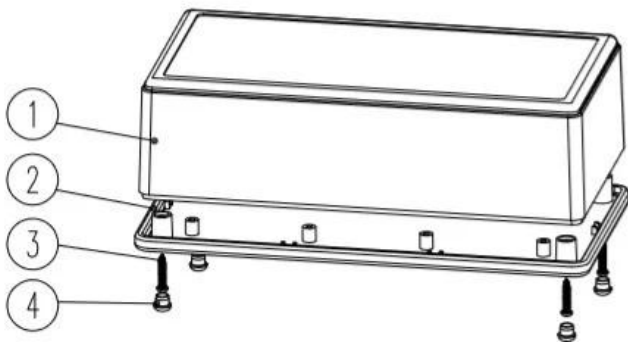
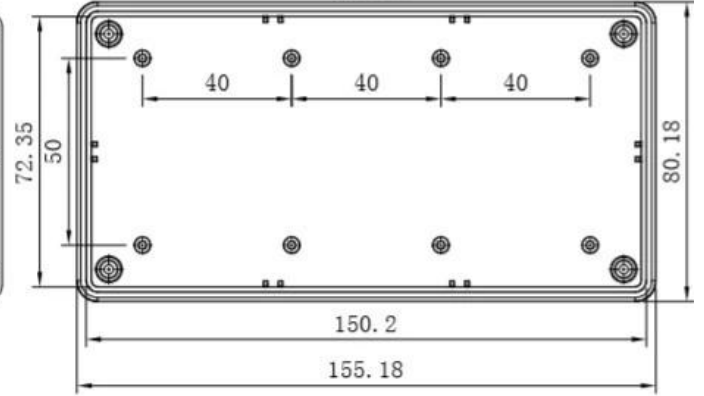
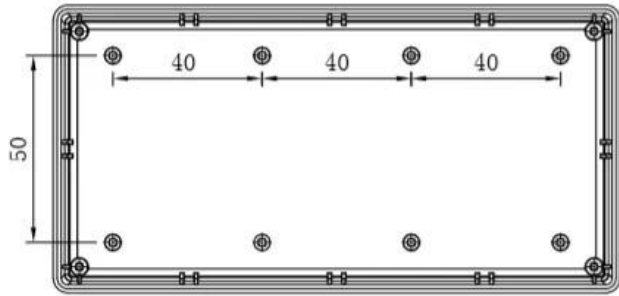
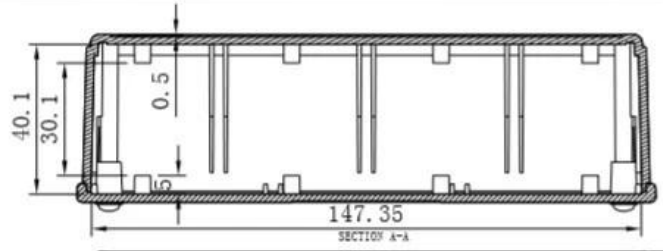
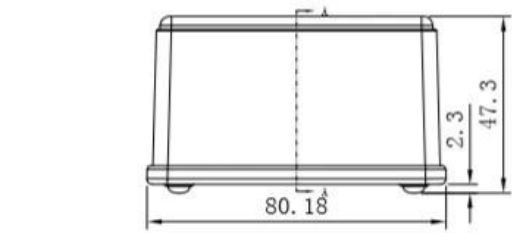


**SZOMK**



# SZOMK





**Customized services**

— — — — —



## Company Information



### Shenzhen Futian Huaqiang Electronic World OMK Electronic Sales Department

This complex, during long years of efforts with its own experienced group and sole facilities for improvement of productions and promotion of products quality, is now one of the largest suppliers of all kinds of metallic and plastic enclosures in different fields of electronic, electrical, communication, medical, industrial and research projects purposes.

In today's industrial world and with the rapid development of all industries, the need of these products is sensed more than ever. Therefore by offering the best quality and service, we try to meet these needs and help you to reach your ideals.

## Factory and showroom



## Exhibition





## Certificate



## Packaging & Shipping



## Contact information



QQ

2110283100



Tel

81-755-83222882  
+86 18819074698



Add

16-6Floor, 505Building ,Shangbu Industry  
Area, Hangtian RD, Futian District ,Shenzhen  
China



Email

teddy@szomk.net



skype

teddy@szomk.net



WeChat

teddy07277