

Features:

- 1, the product has a separate boxes and cartons.
- 2, the wall and the shell wall screw, the decorative sheet (grinding screw position).
- 3, with a simple (client) to match the screw
- 4, all of pouch packaging.
- 5, the product is made of a plastic material
- 6, respectively, according to their needs and drilling.

Main purpose:

In the wall-mounted meter boxes and geographical differences in the different names are used for different industrial main junction boxes, meter boxes, electronic products, such as Shell, is mainly used for indoor and outdoor electrical, communications, fire fighting equipment, iron, electronics, electricity, railways, construction sites, cocks, airports, hotels, large factories, pollution range.

Customization service we offer

- 1, cutout / cut holes
- 2, Silk screen / Print Logo
- 3, Sticker
- 4, Make new abrasives
- 5, Change color

SZOMK



▶ **Enclosure Manufacturer**
www.chinaenclosure.com

SZOMK



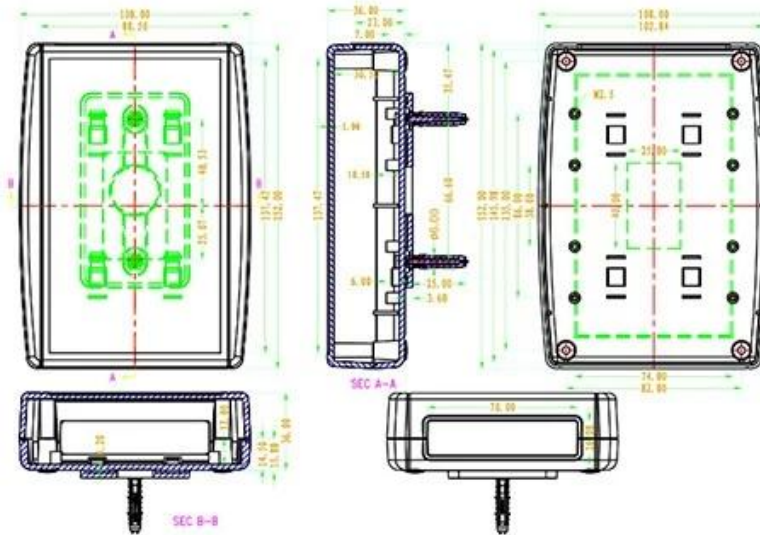
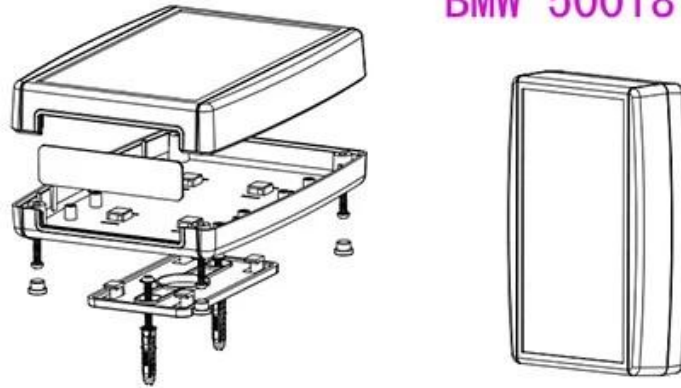
SZOMK



SZOMK

szomk.004@gmail.com

BMW 50018





T/T, WESTERN UNION, MONEY
GRAM AND PAYPAL ACCPETED.

Skype: 13691908154

Tel: +86 13691908154

E-mail: galaxie@szomk.net

[Contact Us](#)