

Features:

- 1, the product has a separate boxes and cartons.
- 2, the wall and the shell wall screw, the decorative sheet (grinding screw position).
- 3, with a simple (client) to match the screw
- 4, all of pouch packaging.
- 5, the product is made of a plastic material
- 6, respectively, according to their needs and drilling.

Main purpose:

In the wall-mounted meter boxes and geographical differences in the different names are used for different industrial main junction boxes, meter boxes, electronic products, such as Shell, is mainly used for indoor and outdoor electrical, communications, fire fighting equipment, iron, electronics, electricity, railways, construction sites, cocks, airports, hotels, large factories, pollution range.

SZOMK



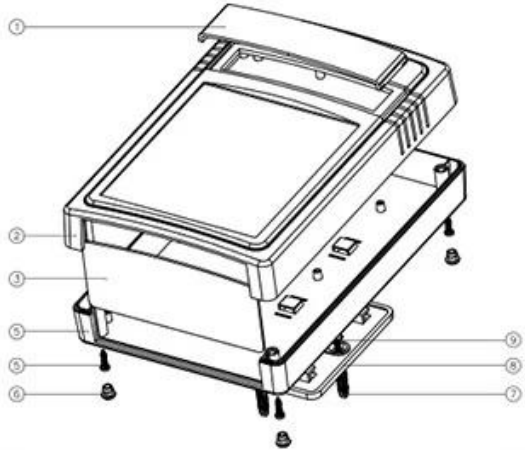
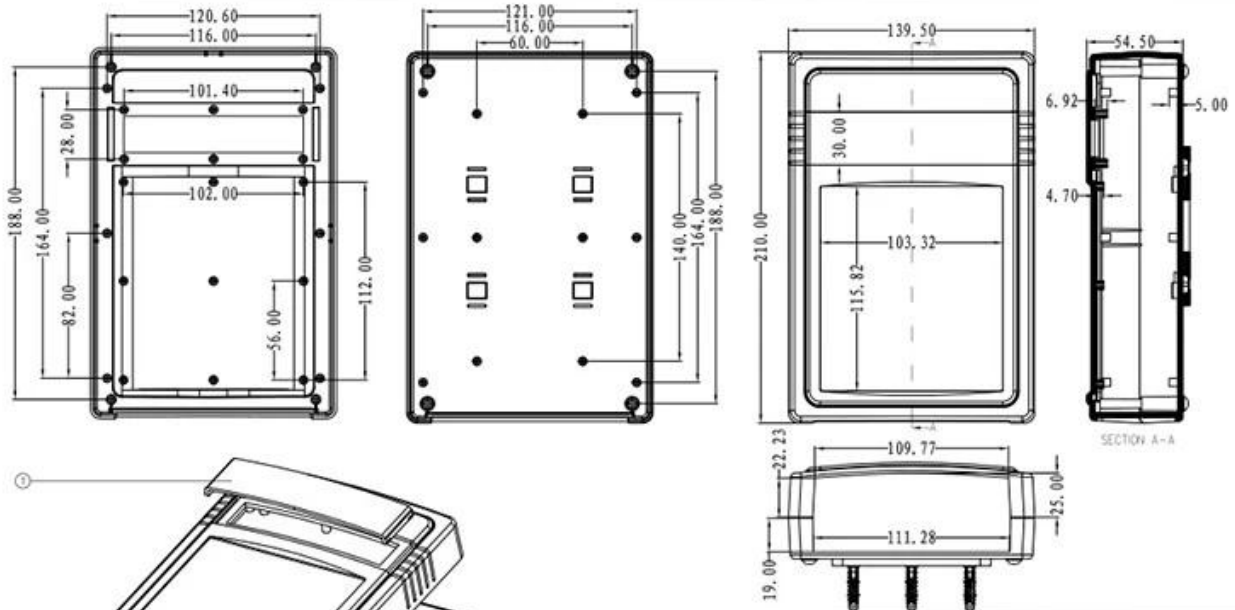
▶ **Enclosure Manufacturer**
www.chinaenclosure.com

SZOMK



SZOMK





9	螺母	件	4	FW3325	
8	螺母	件	1	S0002-D1	
7	螺母	件	4	S-S	
6	螺母	件	4	BP-S	
5	螺母	件	4	PA3314	
4	下壳	件	1	S0005-C1	
3	外壳	件	1	S0005-B1	
2	上壳	件	1	S0005-D1	
1	底板	件	1	S0005-D1	
序号	零件名称	材料	数量	配件编号	备注
制图	审核	批准	产品名称	壁挂式仪表盘	视图
Drawing	Auditing	Confirm	Product Name		Project View
			产品类型	BW 50005	图框比例
			Product Type		Drawing Scale
					1:1 (MM)

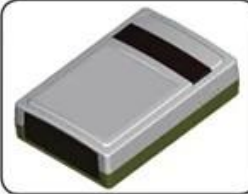
szomk.004@gmail.com

SZOMK

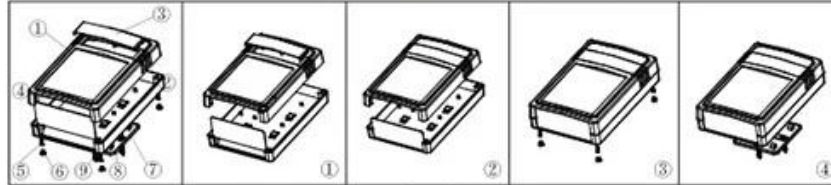
产品型号(MODEL NO.): BMW 50005-A1

产品尺寸 (SIZE): 210×139×58MM

产品重量(WEIGHT): 286 g



19221555



	<p>产品编号(NUMBER): 50005-B1 产品名称(NAME): 上壳 EPVALVE 模具编号(P/N): BAH10033-A1 材料(MATERIAL): ABS(LIGHT GREY:FS20412) 用量(QUANTITY): 1 PCS 重量(WEIGHT): 122 g</p>		<p>产品编号(NUMBER): 50005-C1 产品名称(NAME): 下壳 HEPOTHECA 模具编号(P/N): BAH10033-A2 材料(MATERIAL): ABS(LIGHT GREY:FS20412) 用量(QUANTITY): 1 PCS 重量(WEIGHT): 118 g</p>
	<p>产品编号(NUMBER): 50005-D1 产品名称(NAME): TRANSLUCENT COVER 模具编号(P/N): BAH10033-A3 材料(MATERIAL): PC(茶色:0571) 用量(QUANTITY): 1 PCS 重量(WEIGHT): 10 g</p>		<p>产品编号(NUMBER): 50005-E1 产品名称(NAME): 档板 BAFFLE 模具编号(P/N): BAH10033-A4 材料(MATERIAL): ABS(LIGHT GREY:FS20412) 用量(QUANTITY): 1 PCS 重量(WEIGHT): 14 g</p>
	<p>产品编号(NUMBER): PA3 x 14 产品名称(NAME): 长螺丝 TAPING SCREW 规格(STANDARD): M3 x 14 材料(MATERIAL): 铁 IRON 用量(QUANTITY): 4 PCS</p>		<p>产品编号(NUMBER): BP-8 产品名称(NAME): 脚踏 FOOTPEAL 模具编号(P/N): BAH10020-A4 材料(MATERIAL): PVC(WHITE:CM7070) 用量(QUANTITY): 4 PCS 重量(WEIGHT): 0.258 g</p>
	<p>产品编号(NUMBER): 50002-D1 产品名称(NAME): 墙挂 WALL TIE ACCESSORIES 模具编号(P/N): BAH10021-A3 材料(MATERIAL): ABS(LIGHT GREY:FS20412) 用量(QUANTITY): 1 PCS 重量(WEIGHT): 23 g</p>		<p>产品编号(NUMBER): PWA3 x 25 产品名称(NAME): 长螺丝 TAPING SCREW 规格(STANDARD): M3 x 25 材料(MATERIAL): 铁 IRON 用量(QUANTITY): 4 PCS</p>
	<p>产品编号(NUMBER): S-3 产品名称(NAME): 墙钉 WALL NAIL 模具编号(P/N): BAH10032-A1A2 规格(STANDARD): S x 5 φ 3-4 材料(MATERIAL): PP(GREY:CM5906) 用量(QUANTITY): 4 PCS</p>		



QQ

2406659781



Tel

86-755-83222882
86-18598241813



Add

628Room,505 Building ,Shangbu industry,
Hangtian road ,Futian district ,Shenzhen,
China,518031



Email

emily@szomk.com.cn



skype

szomk1010

