

## Detalhes rápidos:

- 1 Lugar de origem: Zhejiang, China (continente)
- 2 Detalhes da embalagem: Comprimento: 260 milímetros Box, Largura: 200mm Profundidade: 100 milímetros .1000pcs / caixa
- 3 Detalhe de entrega: normalmente 3-5 dias após o pagamento
- 4 produtos de alta qualidade com certificação do CE, UL, ROHS
- 5 reponse Prompt para sua pergunta

## Caracterização:

Bloco de terminais PCB é caracterizada principalmente pela monômero ea solda da placa de circuito e fiação fácil, e conexão a parafuso confiável. O passo é de 3,5, 3,81, 5,0, 5,08, e assim por diante. Os blocos de terminais pode ser combinado com 3P e 2P. Os produtos sem costura também estão disponíveis. As direções de fiação são frontais, laterais, inclinação e outros estilos diferentes.

<b>Technical Parameters for Screw Terminal Block/Connector :</b>		
<b>Electrical Specification</b>	<b>Mechanical Specification</b>	<b>Part &amp; Material</b>
<b>Rated: 250V,8A</b>	<b>Temp.Range: -40C-+105 C</b>	<b>Body: PA66,UL94V-0</b>
<b>Contact resistance: 20mΩ Max</b>	<b>Max Soldering: +250 C,5s</b>	<b>Screw: Steel,Zn plating</b>
<b>Insulation resistance: 5000MΩ Min</b>	<b>Wire range: 26-14AWG(2.5MM2)</b>	<b>Wire Protector: Bronze,Ni plating</b>
<b>Withstanding Voltage:AC1500V/1min</b>	<b>Strip Length: 6-7 mm</b>	<b>Terminal: Brass,Tin plating</b>



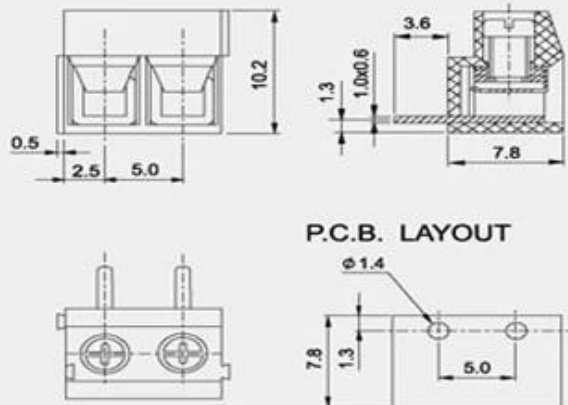
**Pitch:**  
**5.0mm**

**Poles:**  
**2pole 3pole to any poles**

**SZOMK**

- **Top quality products with certification of CE,UL,ROHS**
- **Short lead time, normally 3-5 days after payment**
- **Prompt reponse for your inquiry**

*Pitch=5.0  
Unit:mm  
N=Poles*



**Company Information**



**Shenzhen Futian Huaqiang Electronic World OMK Electronic Sales Departmen**

This complex, during long years of efforts with it's own experienced group and sole facilities for improvement of productions and promotion of products quality, is now one of the largest suppliers of all kinds of metallic and plastic enclosures in different fields of electronic, electrical, communication, medical, industrial and research projects purposes.

In today's industrial world and with the rapid development of all industries, the need of these products is sensed more than ever. Therefore by offering the best quality and service, we try to meet these needs and help you to reach your ideals.



## Exhibition



## Factory and showroom



## Packaging & Shipping



sure we can



WE LOGISTICS™



Shenzhen Futian Huaqiang Electronic World OMK  
Electronic Sales Department

Tel: +86-755-83222882 E-mail: [ivy@szomk.com.cn](mailto:ivy@szomk.com.cn)

