

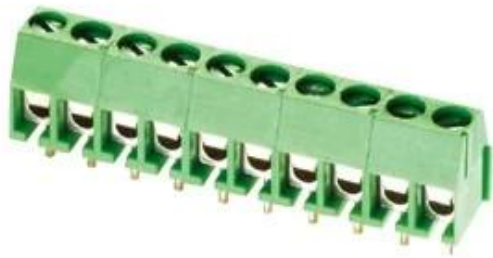
Detalhes rápidos:

- 1 Lugar de origem: Zhejiang, China (continente)
- 2 Detalhes da embalagem: Comprimento: 260 milímetros Box, Largura: 200mm Profundidade: 100 milímetros .1000pcs / caixa
- 3 Detalhe de entrega: normalmente 3-5 dias após o pagamento
- 4 produtos de alta qualidade com certificação do CE, UL, ROHS
- 5 reponse Prompt para sua pergunta

Caracterização

Bloco de terminais PCB é caracterizada principalmente pela monômero ea solda da placa de circuito e fiação fácil, e conexão a parafuso confiável. O passo é de 3,5, 3,81, 5,0, 5,08, e assim por diante. Os blocos de terminais pode ser combinado com 3P e 2P. Os produtos sem costura também estão disponíveis. As direções de fiação são frontais, laterais, inclinação e outros estilos diferentes.

Technical Parameters for Screw Terminal Block/Connector :		
Electrical Specification	Mechanical Specification	Part & Material
Related: 300V 10A	Temp.Range: -30C-+120 C	Body: PA66,UL94V-0
Contact resistance: 20mΩ Max	Max Soldering: +250 C,5s	Screw: Steel,Zn plating
Withstanding:AC1500V/1min	Wire range: 24-18AWG	Wire Protector: Bronze,Ni plating
Torque:0.2Nm(1.8lb.in)	Strip Length: 4.5 -5mm	Terminal: Brass,Tin plating



Pitch:

5.0mm

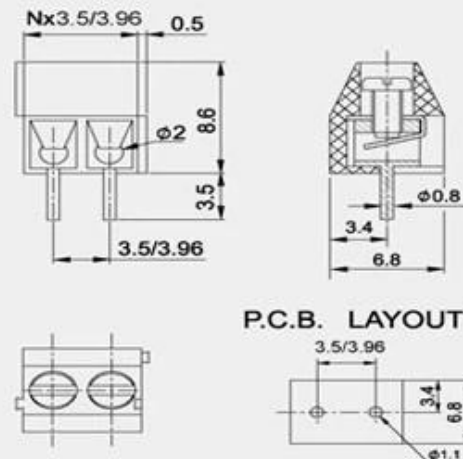
Poles:

2pole 3pole to any poles

SZOMK

- **Top quality products with certification of CE,UL,ROHS**
- **Short lead time, normally 3-5 days after payment**
- **Prompt reponse for your inquiry**

Pitch=3.5/3.96
Unit:mm
N=Poles



Company Information



Shenzhen Futian Huaqiang Electronic World OMK Electronic Sales Departmen

This complex, during long years of efforts with it's own experienced group and sole facilities for improvement of productions and promotion of products quality, is now one of the largest suppliers of all kinds of metallic and plastic enclosures in different fields of electronic, electrical, communication, medical, industrial and research prtojects purposes.

In today's industrial world and with the rapid development of all industries, the need of these products is sensed more than ever. Therefore by offering the best quality and service, we try to meet these needs and help you to reach your ideals.

Exhibition



Factory and showroom



Certificate



Packaging & Shipping



Shenzhen Futian Huaqiang Electronic World OMK
Electronic Sales Department

Tel: +86-755-83222882 E-mail: ivy@szomk.com.cn

