

Vantagens da carcaça de SZOMK

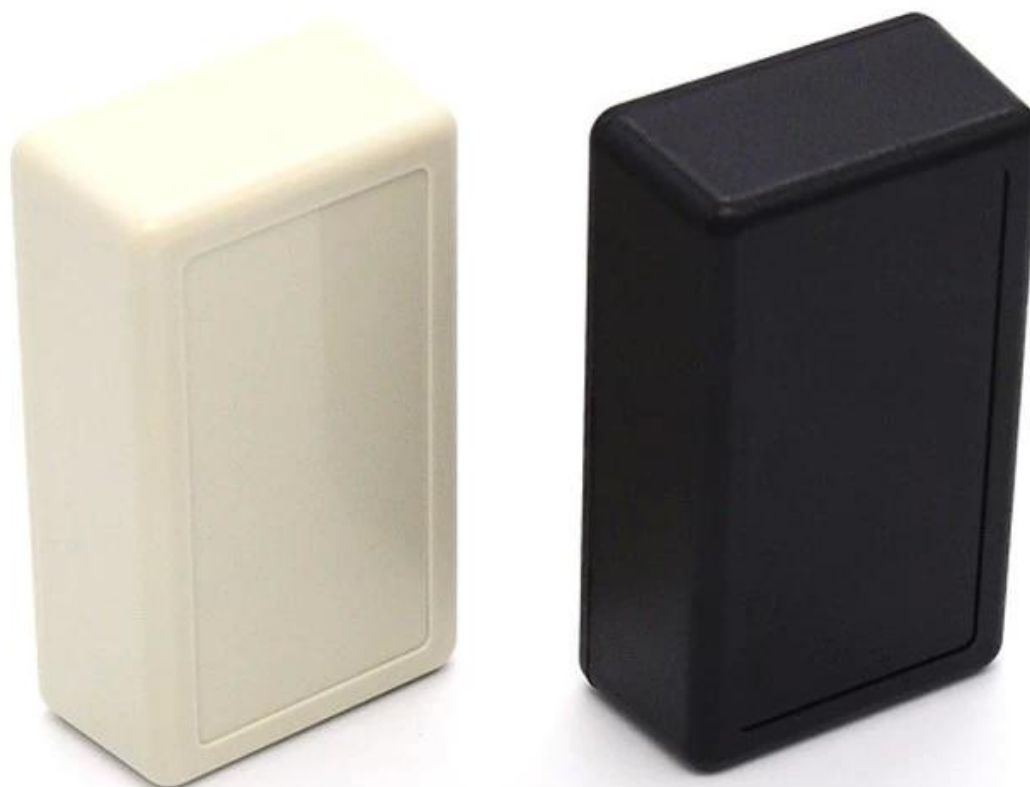
1. Tem forte resistência à corrosão, resistência às intempéries, resistência à corrosão.
2. superfície pode ser formada em uma variedade de cores, e o máximo para atender às suas necessidades.
3. Tenha uma boa resistência forte, salve seus componentes eletrônicos.

O que podemos fazer por você

- 1 perfuração, perfuração e assim por diante. Bem-vindo aos gráficos sob demanda.
- 2 tinta em pó, escovas, polimento, serigrafia, gravação a laser, cartazes, gravura, painel de resina acrílica.
- 3 tempo de entrega curto, geralmente após 3-5 dias após o pagamento (de acordo com o número)
- 4 dicas para sua consulta

Especificação de produtos

SZOMK



Enclosure Manufacturer

www.chinaenclosure.com

SZOMK

Customizable
cutout, sticker
silkscreen, color



Weight: 24g
Model No. AK-S-15

Size: 2.83*1.65*0.91 inch
72*42*23 mm

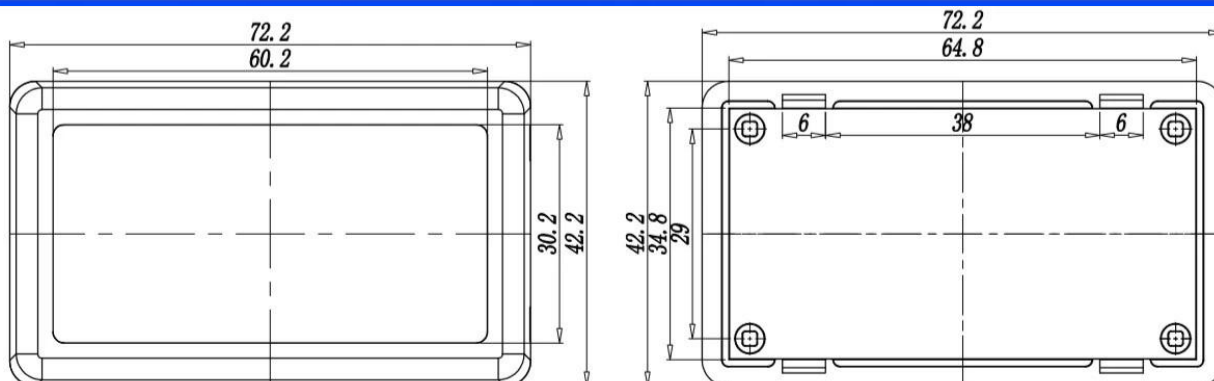
SZOMK

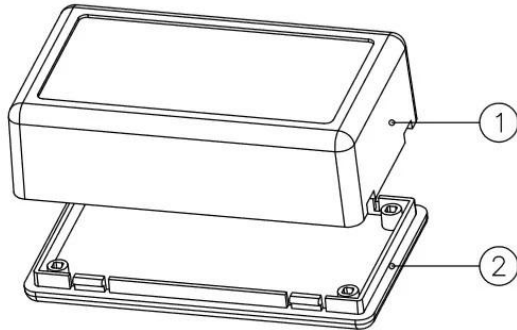
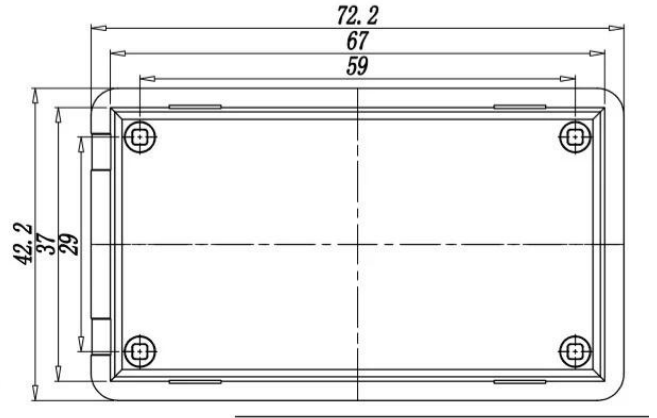
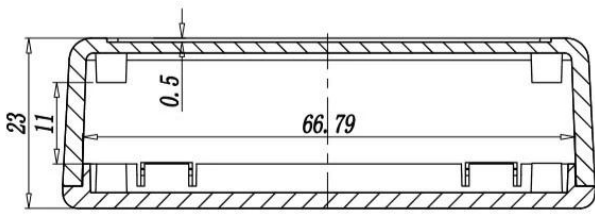


SZOMK



SZOMK





Serviços personalizados

We can do customize

- Silkscreen**: A silver metal enclosure with "GPS Logistic" printed on it.
- Sticker**: A black sticker with "CHIPTUNING-BOX" and "CHIP TUNING MAX" printed on it.
- Silicone Seals**: A blue silicone seal ring.
- Color**: A collection of small, colorful metal parts in various colors like blue, black, pink, yellow, and silver.
- Cutout**: A red metal enclosure with two circular cutouts.
- Plate**: A collection of various metal plates and components, including a yellow plate with holes and a black plate with a "RIONIX" logo.

Company Information



Shenzhen Futian Huaqiang Electronic World OMK Electronic Sales Departmen

This complex, during long years of efforts with it's own experienced group and sole facilities for improvement of productions and promotion of products quality, is now one of the largest suppliers of all kinds of metallic and plastic enclosures in different fields of electronic, electrical, communication, medical, industrial and research prtojects purposes.

In today's industrial world and with the rapid development of all industries, the need of these products is sensed more than ever. Therefore by offering the best quality and service, we try to meet these needs and help you to reach your ideals.

Factory and showroom



Exhibition



Certificate



Packaging & Shipping



Informações de contato



QQ

2110283100



Tel

81-755-83222882
+86 18819074698



Add

16-6Floor, 505Building ,Shangbu Industry
Area, Hangtian RD, Futian District ,Shenzhen
China



Email

teddy@szomk.net



skype

teddy@szomk.net



WeChat

teddy07277